

**MVP-METALL, 8XM12, 5POLE, PRE-WIRED CABLE**

10.0m PUR 16x0,34+5x0,75, UL/CSA

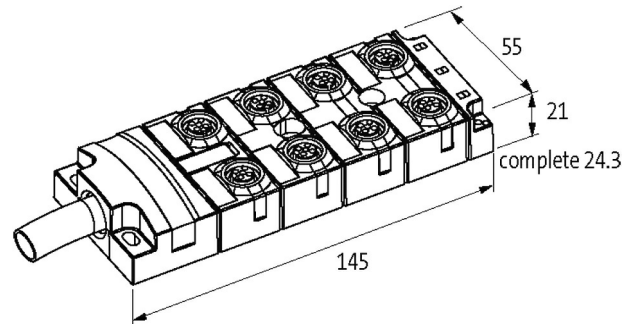
8-way, 5-pole, DIAGNOSTIC

10.0 m

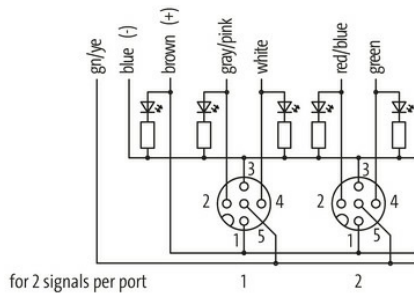
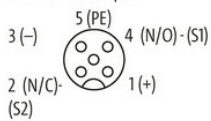
integrated electronic current monitoring with shutoff

electronic diagnostic with ERROR LED

Further cable lengths on request.

[Link to Product](#)**Illustration**

M12-Females 5-pole



Product may differ from Image

**Technical Data**

Operating voltage	24 V DC (EN 61131-2), potential separation 0 V for left/right side
Operating current (contact 3)	max. 0.5 A (shutoff 0.7...0.9 A)
Current consumption	max. 35 mA
LED display	LED (green): P1 and P2; LED (red): ERROR for optical diagnostics
Locking of ports	Screw thread (M12x1 mm)
Protection	IP65, IP67, IP68 inserted and tightened (EN 60529)
Housing	Zinc die casting, matte nickel plated
Diagnostic output	active high, max. load 25 mA, wire (brown 2)
Required power supply with max. ports	min. 10 A
Inrush capacity	max. 1470 µF
LED display per port	LED (yellow): contact 4 and 2; 2x LED (red): for failure
Unit protection	pulse switching
Total current	max. 10 A

**General data**

The information in this brochure has been compiled with the utmost care.

Liability for the correctness completeness and topicality of the information is restricted to gross negligence. Version: 03/22

Temperature range	-20...+60 °C
Dimensions H×W×D	145×55×21 mm

### Cables

No./diameter of wires	16× 0.34 + 5× 0.75 mm <sup>2</sup>
Wire isolation	TPE (grpk, wh, rdbl, gn, whgn, ye, brgn, gr, whye, pk, yebr, rd, whgr, bk, grbr, vi, br, bl, gnye)
C-track properties	5 Mio.
Outer Ø	11.5 mm ±5%
Cable number	403
Approval (cable)	UL (AWM-Style 20233/10042), CSA; CE conform
Material (wire)	Cu wire, bare
Resistor (core)	max. 57 Ω/km (0.34 mm <sup>2</sup> ), max. 26 Ω/km (0.75 mm <sup>2</sup> ); (20 °C)
Single wire Ø (core)	0.1 mm
Diameter (core)	16× 0.34 + 5× 0.75 mm <sup>2</sup>
AWG	similar to AWG 22 (0.34 mm <sup>2</sup> ); similar to AWG 18 (0.75 mm <sup>2</sup> )
Material (wire isolation)	TPE-E
Shore hardness (wire isolation)	55 ±5 D
Shield	yes
Shore hardness (jacket)	85 ±5 A
Jacket Color	gray
Nominal voltage	300/500 V AC
Test voltage	2000 V AC
Current load capacity	to DIN VDE 0298-4
Temperature range (fixed)	-40...+90 °C
Temperature range (mobile)	-25...+80 °C
Bend radius (fixed)	5× outer Ø
Bend radius (moving)	10× outer Ø
Bend radius (moving)	10× outer Ø
No. of bending cycles (C-track)	max. 5 Mio. (25 °C)
Travel speed (C-track)	max. 2 m/s
Acceleration (C-track)	max. 5 m/s <sup>2</sup>
Material (jacket)	PUR (UL/CSA)

### Contact Layout

PIN 1	(+)
PIN 2	(NC)/(S2)
PIN 3	(-)
PIN 4	(NO)/(S1)
PIN 5	(Earth)

LED (green): Power / LED (yellow): (S1/S2) / LED (red): Failure

### Description

Functional description	All M12 ports are current monitored regarding 0 V total current (contact 3), and are switched off in case of overload or short-circuit (self-resetting). Supply voltage of other ports remains the same. In case of a fault the DIAGNOSTIC signal "active high"
------------------------	---

### Commercial data

country of origin	CZ
customs tariff number	85444290
EAN	4048879063739
eClass	27279219
Packaging unit	1.000