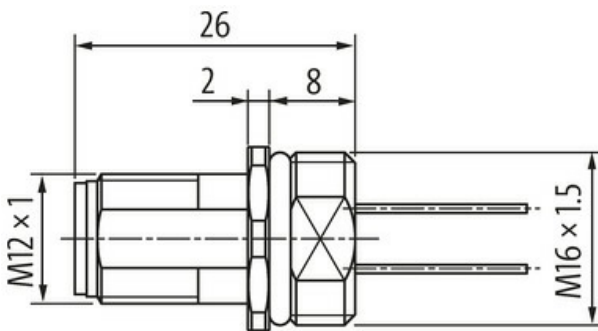
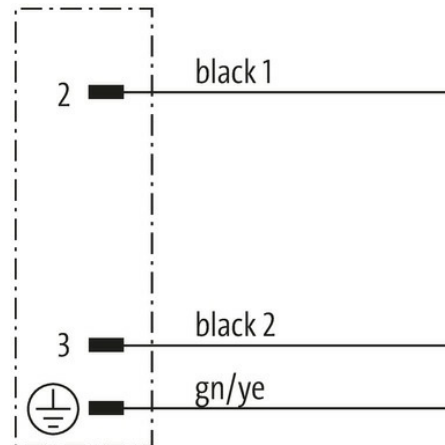
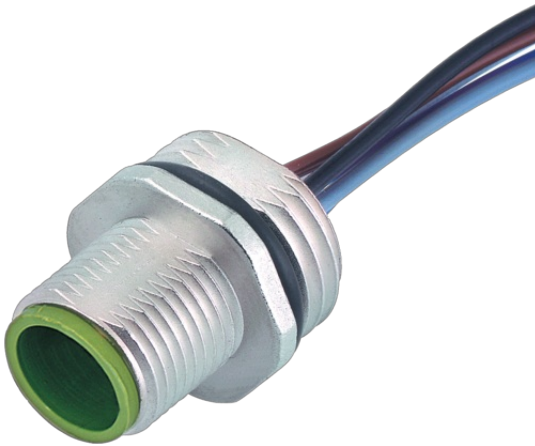


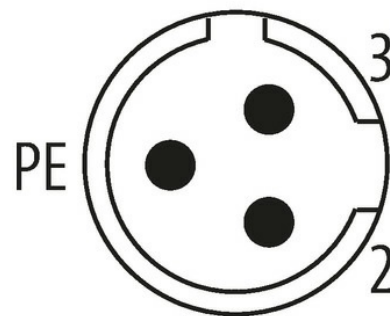
M12 male recept. C-cod. front

PP-wires 3x0.75 1m

Flange male
M12, 3-pole
C-coded
Front mounting
with multi-strand wire

[Link to Product](#)**Illustration**

Male



Product may differ from Image

**Form**

Form 20201

Technical Data

| | |
|-------------------------------|------------------|
| Operating voltage | max. 250 V AC/DC |
| Rated surge voltage | 2.5 kV |
| Operating current per contact | max. 4 A |

| | |
|-------------------|------------------------------------------------------------------|
| No. of poles | 3 |
| Material group | IEC 60664-1, category I |
| Coding | C-coded |
| LED display | no |
| Locking of ports | Screw thread (M12×1 mm) recommended torque 0.6 Nm, self-securing |
| Compression gland | M12 (SW14) |
| Protection | IP67 inserted and tightened (EN 60529) |
| Locking material | Zinc die casting, matte nickel plated |

General data

| | |
|----------------------------|--------------|
| Material (contact) | Copper alloy |
| Material (contact surface) | Au |
| Pollution Degree | 3 |
| Temperature range | -25...+85 °C |

Cables

| | |
|----------------------------|-------------------------|
| No./diameter of wires | 3× 0.75 mm ² |
| Wire isolation | PP (bk num, gnye) |
| Outer Ø | 1.85 mm ±5% |
| Cable number | 930 |
| Temperature range (fixed) | -40...+80 °C |
| Temperature range (mobile) | -25...+80 °C |
| Bend radius (fixed) | 5× outer Ø |
| Bend radius (moving) | 10× outer Ø |

Commercial data

| | |
|-----------------------|---------------|
| country of origin | DE |
| customs tariff number | 85444290 |
| EAN | 4048879385732 |
| eClass | 27279220 |
| Packaging unit | 1.000 |