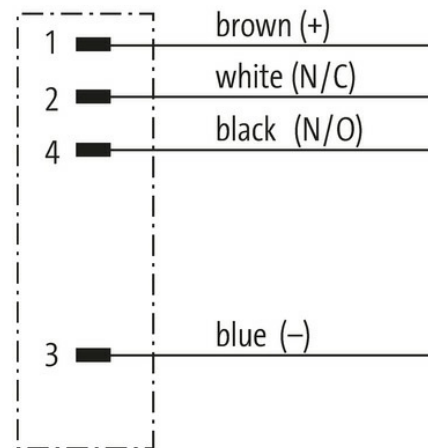


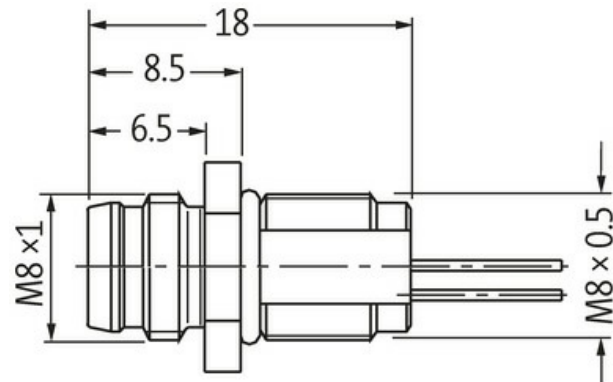
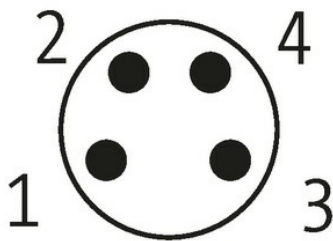
**M8 MALE FLANGE PLUG 1-2-3-4**

Wire 4x0.25 0.5m

Flange male  
M8, 4-pole  
Front mounting  
with multi-strand wire

[Link to Product](#)**Illustration**

Male



Product may differ from Image

**Form**

Form 08561

**Technical Data**

Operating voltage	max. 50 V AC/60 V DC
Rated surge voltage	0.8 kV
Operating current per contact	max. 4 A
Material group	IEC 60664-1, category I
Locking of ports	Screw thread (M8x1 mm) recommended torque 0.4 Nm, self-securing
Protection	IP67/IP66K, IP67 inserted and tightened (EN 60529)
Over voltage category	II

**General data**

The information in this brochure has been compiled with the utmost care.  
Liability for the correctness completeness and topicality of the information is restricted to gross negligence. Version: 03/22

Standards	DIN EN 61076-2-104 (M8)
-----------	-------------------------

Material (contact)	Brass, gold plated
--------------------	--------------------

Temperature range	-40...+85 °C
-------------------	--------------

**Cables**

No./diameter of wires	4× 0.34 mm <sup>2</sup>
-----------------------	-------------------------

Wire isolation	PUR
----------------	-----

Outer Ø	1.3 mm ±5%
---------	------------

Cable number	971
--------------	-----

Temperature range (fixed)	-40...+90 °C
---------------------------	--------------

Temperature range (mobile)	-25...+90 °C
----------------------------	--------------

Bend radius (fixed)	5× outer Ø
---------------------	------------

**Commercial data**

country of origin	DE
-------------------	----

customs tariff number	85444290
-----------------------	----------

EAN	4048879872942
-----	---------------

eClass	27279220
--------	----------

Packaging unit	1.000
----------------	-------