

M12 Steel male 90° / M12 Steel female 90° A-cod.

TPE-S 4x0.34 gy 1.5m

F&B-Steel

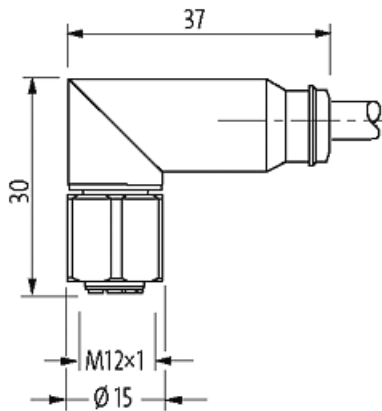
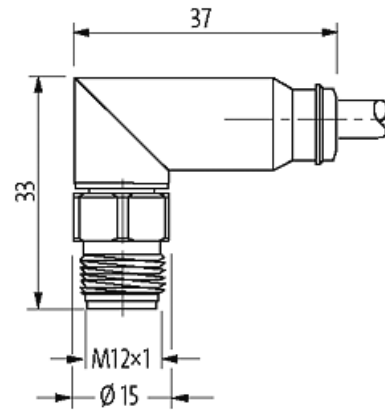
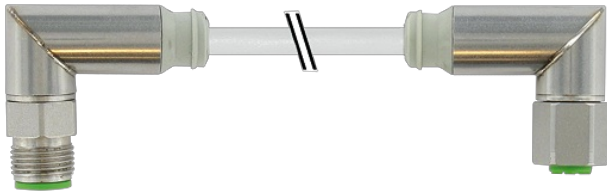
Male 90° – female 90°

M12 – M12, 4-pole

Further cable lengths on request.

[Link to Product](#)

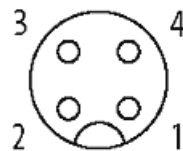
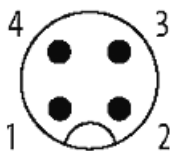
Illustration



| | | |
|---|-------------|-----|
| 1 | brown (+) | C 1 |
| 2 | white (N/C) | C 2 |
| 4 | black (N/O) | C 4 |
| 3 | blue (-) | C 3 |

Male

Female



Product may differ from Image



* only for products with UL/CSA approved cable

Form

Form 40261

Technical Data

| | |
|-------------------------------|------------------------------------------------------------------|
| Operating voltage | max. 32 V AC/DC |
| Operating current per contact | max. 4 A |
| Locking of ports | Screw thread (M12×1 mm) recommended torque 0.6 Nm, self-securing |
| Protection | IP68, IP69K inserted and tightened (EN 60529) |
| Locking material | Stainless steel 1.4404 (V4A) |

General data

| | |
|-------------------|------------------------------------------|
| Temperature range | -40...+85 °C, depending on cable quality |
|-------------------|------------------------------------------|

Cables

| | |
|---------------------------------|------------------------------------------|
| No./diameter of wires | 4× 0.34 mm ² |
| Wire isolation | TPE-S (br, wh, bl, bk) |
| Material (jacket) | TPE-S |
| Outer Ø | 5.2 mm ±5% |
| Temperature range (mobile) | -30...+105 °C |
| Bend radius (moving) | 15× outer Ø |
| Temperature range (fixed) | -50...+125 °C |
| Cable identification | 336 |
| Cable weight [g/m] | 43,01 |
| Material (wire) | Cu wire, bare |
| Resistor (core) | max. 57 Ω/km (20 °C) |
| Single wire Ø (core) | 0.05 mm |
| Construction (core) | 180× 0.05 mm (multi-strand wire class 6) |
| Diameter (core) | 4× 0.34 mm ² |
| AWG | similar to AWG 22 |
| Material (wire isolation) | TPE-S |
| Shore hardness (wire isolation) | 90 ±5 A |
| Wire-Ø incl. isolation | 1.5 mm ±5% |
| Color/numbering of wires | br, bk, bl, wh |
| Stranding combination | 4 wires twisted |
| Shield | no |
| Material (jacket) | TPE-S |
| Shore hardness (jacket) | 80 ±5 A |
| Outer-Ø (jacket) | 5.2 mm ±5% |
| Color (jacket) | gray |
| Test voltage | 2500 V AC |
| Temperature range (fixed) | -50...+125 °C |
| Temperature range (mobile) | -30...+105 °C |
| Bend radius (fixed) | 10× outer Ø |
| Bend radius (moving) | 15× outer Ø |
| Jacket Color | gray |

Commercial data

| | |
|-----------------------|---------------|
| country of origin | CZ |
| customs tariff number | 85444290 |
| EAN | 4048879581011 |
| eClass | 27279218 |
| Packaging unit | 1 |