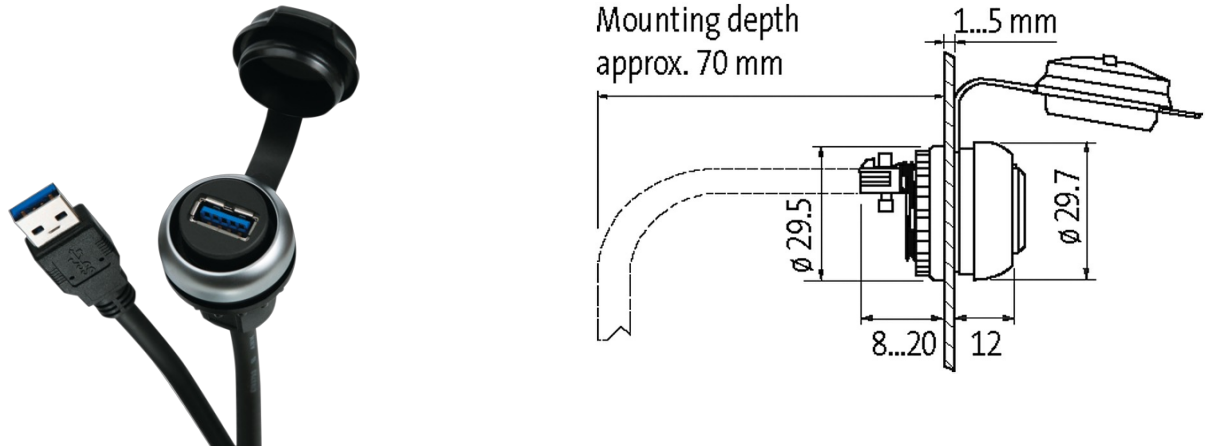


## MSDD pass-through USB 3.0 form A, 5.0 m cable extension

### [Link to Product](#)

#### Illustration



Product may differ from Image



#### Technical Data

Operating voltage	5 V AC/DC
Operating current	max. 900 mA

#### General data

Protection	IP65
Dimensions HxWxD	29.5x29.5x29 mm

#### Commercial data

country of origin	CZ
customs tariff number	85444290
EAN	4048879857017
Packaging unit	1.000