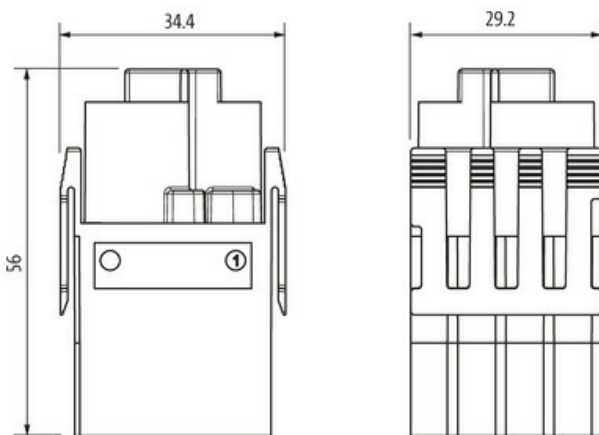
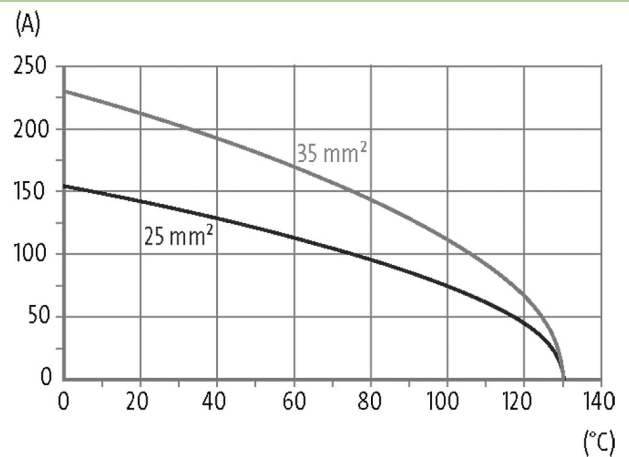
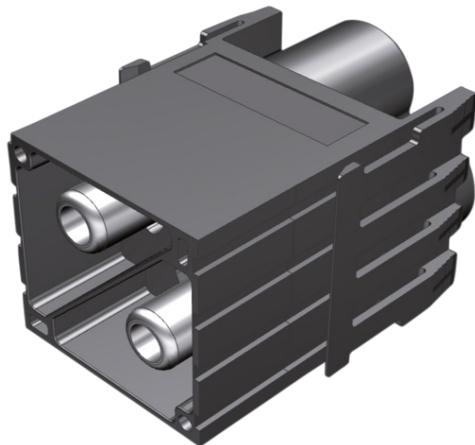


Power male module, 2-pole, crimp t.

1000 V, 100 A

Male
2-pole
Crimp

Technical data will be only guaranteed with Murrelektronik components.

[Link to Product](#)**Illustration**

Product may differ from Image

Technical Data

Operating voltage	1000 V AC/DC
Rated surge voltage	8.0 kV
Operating current	100 A
No. of poles	2
Material group	I
Mating cycles	min. 500
Connection	Crimp
Connection cross section	10...35 mm ² (AWG 8...2)
Insertion and withdrawal force	< 140 N
Isolation resistance	≥ 10 ⁸ Ω
Contact resistance	≤ 5 mΩ

Over voltage category	III
Wire-Ø incl. isolation	max. 13 mm
Holding force (modules)	≥ 300 N

General data

Material (contact)	Brass
Material (contact surface)	Ag
Pollution Degree	3
Temperature range	-40...+125 °C
No. of module positions	2
Flammability class	V-0 (acc. to UL 94)
Type	Male
Climatic category	40/125/10
Material (module)	PA GF
Dimensions H×W×D	53×13×13 mm

Cables

Current load capacity	see derating curve
-----------------------	--------------------

Commercial data

country of origin	CZ
customs tariff number	85389099
EAN	4048879641685
eClass	27143424
Packaging unit	5.000