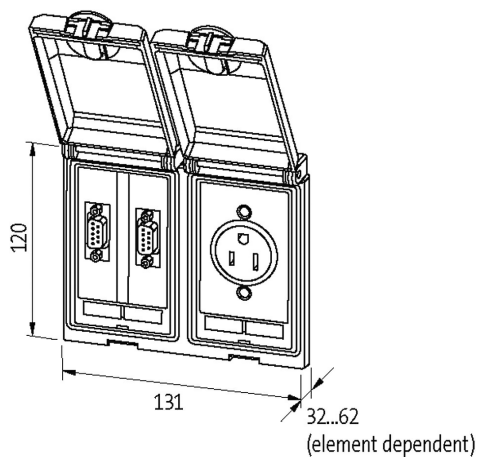
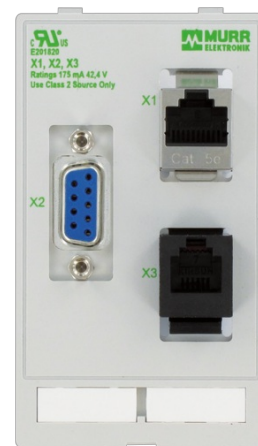


Modlink MSDD-set: Frame 4000-68223-000000,

insert 4000-68000-0010000 + 4000-68000-1120000

Link to Product

Illustration



Product may differ from Image

The information in this brochure has been compiled with the utmost care. Liability for the correctness completeness and topicality of the information is restricted to gross negligence. Version: 03/22

Murrelektronik Ltd. | 5 Albion Street, Pendlebury Industrial Estate, Swinton | Manchester M27 4FG | Fon +44 161 728 3133 | Fax +44 161 728 3130 | shop@murrelektronik.co.uk | shop.murrelektronik.co.uk

Frame	
suitable for mounting with wall thickness	1...5 mm
Protection	IP65
Temperature range	-10...+60 °C (storage temperature -25...+60 °C)
Housing	Frame: zinc die-casting, with surface finishing, Lid: plastic, PC transparent
RJ45	
Operating current (UL Rating)	max. 175 mA
Locking of ports	Snap In
Connection front side	RJ45
Connection rear side	RJ45
Operating voltage (UL Rating)	max. 30 V AC/42.4 V DC
Specification	CAT5e, Class D, 100 MHz, (EN 50173-1)
SUB-D9	
Connection rear side	SUB-D (female)
Operating current (UL Rating)	max. 175 mA
Connection front side	SUB-D (female)
Locking of ports	UNC 4...40 bolt
Operating voltage (UL Rating)	max. 30 V AC/42.4 V DC
Operating current	3 A
No. of poles	9-pole
Operating voltage	48 V AC/DC
RJ12	
Operating voltage	max. 48 V AC/DC
Connection front side	RJ12
Connection rear side	RJ12
Locking of ports	Snap In
Operating current	max. 1 A
Operating voltage (UL Rating)	max. 30 V AC/42.4 V DC
Operating current (UL Rating)	max. 175 mA
Germany (VDE)	
Connection	Screw terminals: max. 2x 6 mm ² (AWG 10)
Operating voltage	250 V AC
No. of poles	2 + PE
LED display	yellow
Operating current	16 A
Shielding plate	
Tightening torque	0.9 Nm ±0.1
Connection	Threaded hole M4
Commercial data	
country of origin	CZ
customs tariff number	85389099
EAN	4048879378727
eClass	27189217
Packaging unit	1.000