

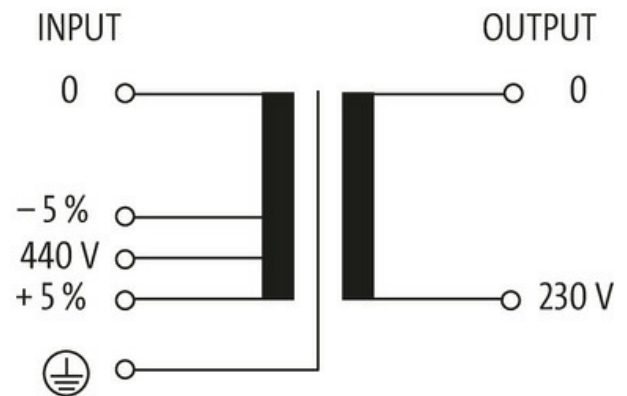
MET SINGLE-PHASE CONTROL AND ISOLATION TRANSFORMER

P:3000VA IN:440VAC±5% OUT:230VAC

Single-phase - Control and Isolation Transformers
3000 VA
Isolation class T 40/B
Other voltages on request.

[Link to Product](#)

Illustration



Product may differ from Image

General data

Standards	EN 61558-1, EN 61558-2-4, EN 62041 category 0
Mounting method	Long-hole mounting
Temperature range	-20...+40 °C (storage temperature -40...+80 °C)
Test isolation voltage	6.0 kV
Drill hole Ø	9x14 mm
Fixing centers a×b×c	174×200×9 mm
Dimensions H×W×D	195×197×250 mm

Output

Output voltage	230 V AC
Output rating	3000 VA

Input

Input voltage	440 V AC \pm 5%
Inrush current	97 A (440 V AC)
Short-circuit current	300 A (440 V AC)
Input current	7.2 A (440 V AC)
Frequency	50...60 Hz

Commercial data

country of origin	CZ
customs tariff number	85043200
EAN	4048879349208
eClass	27031202
Packaging unit	1.000