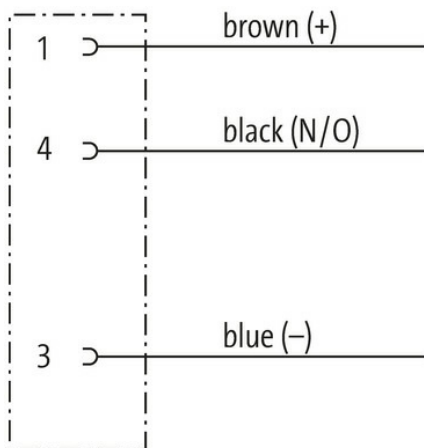
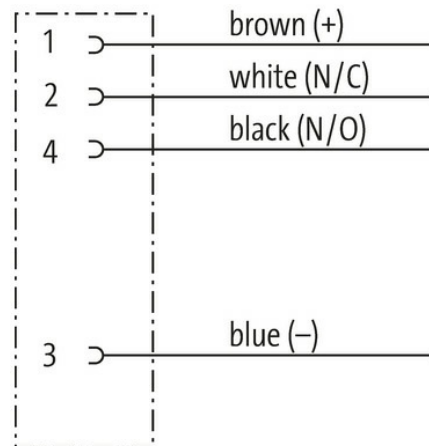
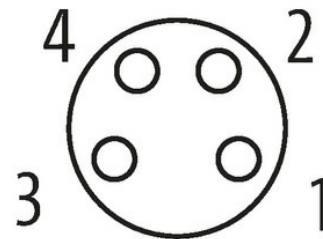


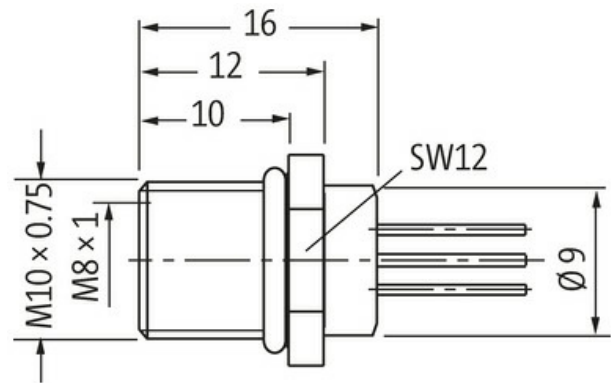
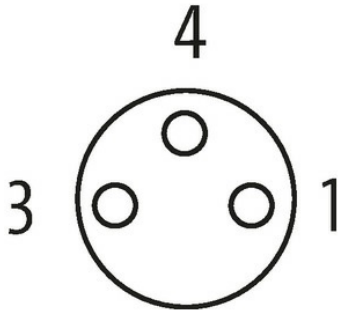
**M8 female recept. A-cod. rear**

PP-wires 3x0.25 2m

Flange female  
 Flange female  
 M8, 4-pole  
 M8, 3-pole  
 Rear mounting  
 Rear mounting  
 with multi-strand wire  
 with multi-strand wire

[Link to Product](#)**Illustration****Female**

Female



Product may differ from Image

**Technical Data**

Operating voltage	max. 50 V AC/60 V DC
Rated surge voltage	1.5 kV
Operating current per contact	max. 4 A
Material group	IEC 60664-1, category I
LED display	no
Locking of ports	Screw thread (M8×1 mm) recommended torque 0.4 Nm, self-securing
Protection	IP67 inserted and tightened (EN 60529)
Protection NEMA	3, 4, 6P (UL 50E)

**General data**

Pollution Degree	3
Temperature range	-25...+85 °C

**Cables**

No./diameter of wires	3× 0.25 mm <sup>2</sup>
Wire isolation	PP (br, bk, bl)
Outer Ø	1.1 mm ±5%
Cable number	970
Temperature range (fixed)	-40...+90 °C
Temperature range (mobile)	-25...+90 °C
Bend radius (fixed)	5× outer Ø

**Commercial data**

country of origin	DE
customs tariff number	85444290
EAN	4048879820820
eClass	27279220
Packaging unit	1.000