

## SIEMENS CONTACTOR SUPPRESSOR

Diode and LED, 24VDC

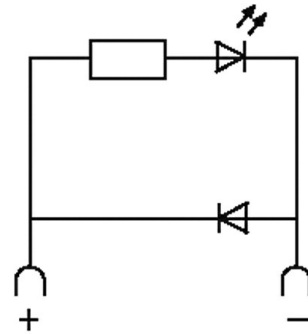
24 V DC

Diode + LED

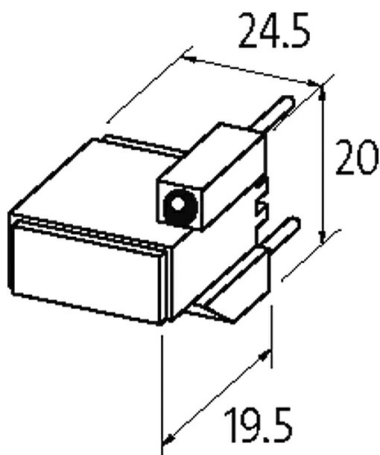
For other configurations and voltages, please inquire.

### [Link to Product](#)

#### Illustration



Diode + LED



Product may differ from Image



#### Technical Data

Input voltage	12...30 V DC
Material	Flame retardant plastic acc. to (UL 94)
Damping factor	approx. 1.5× UN
Connection wires	self-securing cable forks

#### General data

Temperature range	-20...+70 °C
-------------------	--------------

Dimensions H×W×D 19.5×20×24.5 mm

**Appropriate contactors**

3 TH 2; 3 TF 2; 3 TH 20; 3 TF 20

**Commercial data**

country of origin	CZ
customs tariff number	85363010
EAN	4048879017480
eClass	27371013
Packaging unit	1.000