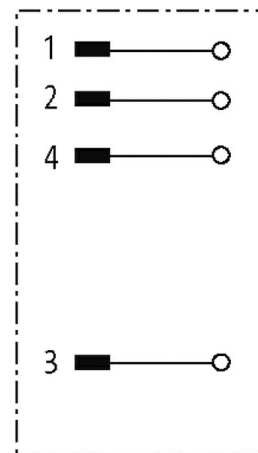
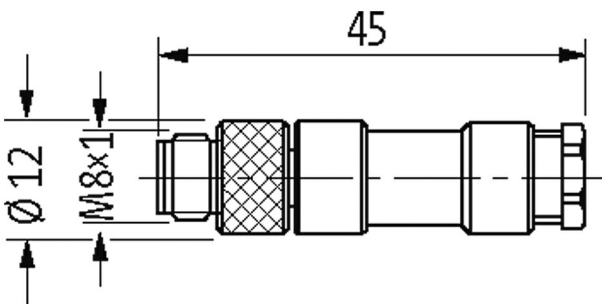


**M8 MALE 0° FIELD-WIREABLE (SOLDER PINS)**4-pol. 0.25mm<sup>2</sup>

Male straight  
M8, 4-pole  
with solder pins  
Connection cross section: max. 0.25 mm<sup>2</sup>

[Link to Product](#)**Illustration**

Male



Product may differ from Image

**Form**

Form 08421

**Technical Data**

Operating voltage	max. 30 V AC/DC
Operating current per contact	max. 4 A
Connection cross section	max. 0.25 mm <sup>2</sup>
Sealing range (cable Ø)	3.5...5.0 mm
Protection	IP67 inserted and tightened (EN 60529)

**General data**

Temperature range	-25...+85 °C
Dimensions H×W×D	45×12×12 mm

**Commercial data**

The information in this brochure has been compiled with the utmost care.  
Liability for the correctness completeness and topicality of the information is restricted to gross negligence. Version: 03/22

country of origin	DE
customs tariff number	85366990
EAN	4048879224659
eClass	27279221
Packaging unit	1