

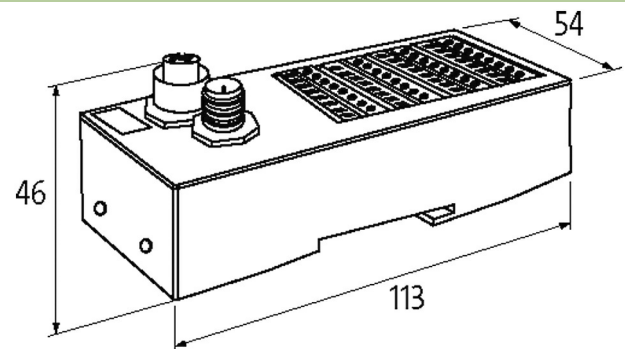
TERMINAL MODULE CUBE 67 IP67

8 digital inputs, 8 multifunction channels

Terminal module
DIO8/DI8 - (E) TB-Rail
Connection cables are in the online shop under "Connection Technology".
Housing fully potted.

Link to Product

Illustration



Product may differ from Image



General data

Mounting method	DIN-rail mountable (EN 60715)
Temperature range	0...+55 °C (storage temperature -20...+75 °C)
Protection	IP20
Dimensions HxWxD	113x54x45 mm

Output

Lamp load	10 W
Actuator supply UA	24 V DC (EN 61131-2), via system connection (max. 4 A)
Switching current per output	max. 0.5 A (short-circuit and overload protected)

Input

Sensor supply US	24 V DC (EN 61131-2), max. 8x 200 mA
Type	for 3-wire sensors or mechanical switches, PNP
Input filter	1 ms

Internal communication

LED display	US: sensor supply and internal supply voltage (green: OK); UA: actuator supply (green: OK)
Current consumption	max. 50 mA

Parameterization

Terminal row X1 (8 channels)	Input/Output
Terminal row X0 (8 channels)	Input

Connections

Fieldbus	via internal system connection
Sensor-system/actuator supply	via internal system connection (max. 2x 4 A)
I/O ports	16x spring clamp plug-in terminals, max. 2.5 mm ²

Diagnostic

The information in this brochure has been compiled with the utmost care.
Liability for the correctness completeness and topicality of the information is restricted to gross negligence. Version: 03/22

Communication status	via LED
Diagnostic via LED	per module and channel
Diagnostic via BUS	per module and channel
Actuator warning	per channel via LED and BUS
Monitoring - under voltage	yes
Monitoring - no voltage	yes
Short-circuit and overload	yes

Commercial data

country of origin	DE
customs tariff number	85176200
EAN	4048879048279
eClass	27242604
Packaging unit	1.000