

**M12 female 0° field-wireable**4-pole max. 0.75mm<sup>2</sup> 4-6mm

Female straight

M12, 4-pole

Screw terminal

Connection cross section

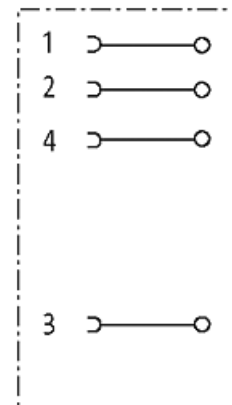
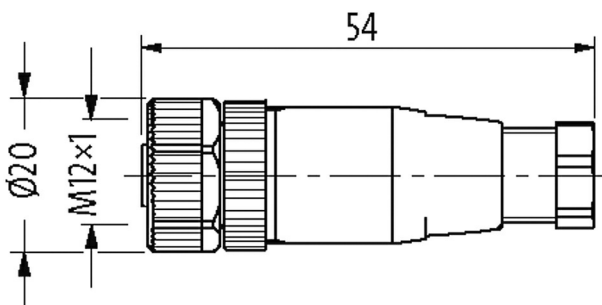
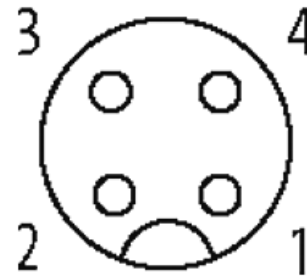
max. 0.75 mm<sup>2</sup>

Please use wire end ferrule.

The resistance to aggressive media should be individually tested for your application. Further details on request.

[Link to Product](#)**Illustration**

Female



Product may differ from Image

**Technical Data**

Operating voltage	max. 250 V AC/DC
Operating current per contact	max. 4 A; max. 3 A (UL-Recognized)
No. of poles	4
Material group	IEC 60664-1, category III
Coding	A-coded
LED display	no

Connection cross section	max. 0.75 mm <sup>2</sup>
Sealing range (cable Ø)	4...6 mm
Locking of ports	Screw thread (M12×1 mm) recommended torque 0.6 Nm, self-securing
Compression gland	pluggable, screw locking / M12 (A/F18) / zinc-pressure die casting, surface Ni
Protection	IP67 mounted and tightened
Housing	PA

**General data**

Standards	DIN EN 61076-2-101 (M12)
Material (contact)	Copper alloy
Material (contact surface)	Copper alloy
Pollution Degree	3
Temperature range	-40...+85 °C

**Commercial data**

country of origin	DE
customs tariff number	85366990
EAN	4048879848657
eClass	27279221
Packaging unit	10