

Mini (7/8) 5 pole, Male (Ext.) 90° w/ Cable

TPE 5x16AWG ye UL/CSA, TC-ER

Male 90°

7/8" (5-pole)

Power cable

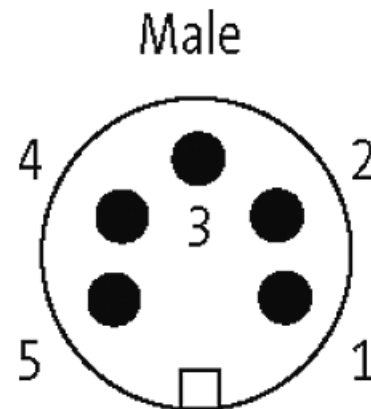
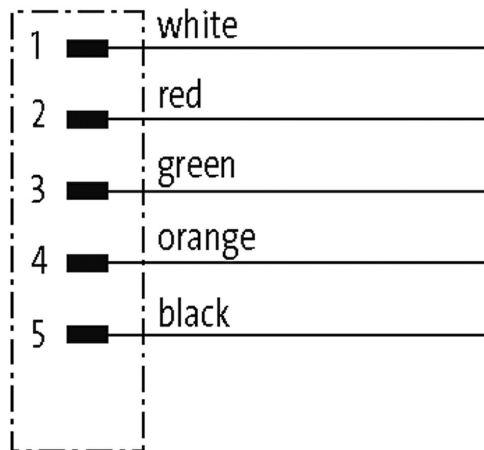
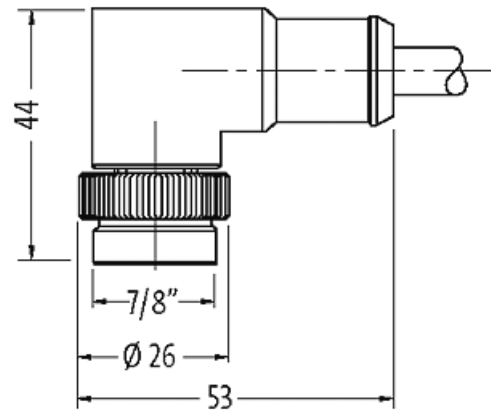
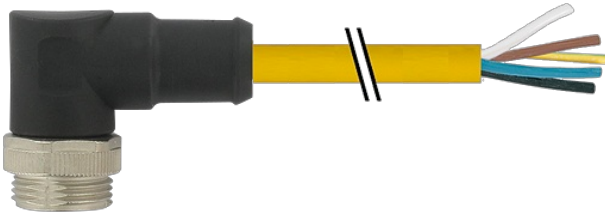
USA

without cable sleeves

Further cable lengths on request.

Plastic housings with good resistance against chemicals and oils.

The resistance to aggressive media should be individually tested for your application. Further details on request.

Link to Product**Illustration**

Product may differ from Image



* only for products with UL/CSA approved cable

Form

Form

A5011

Technical Data

Operating voltage

max. 600 V AC/DC

| | |
|-------------------------------|---|
| Rated surge voltage | 4.0 kV |
| Operating current per contact | max. 9 A |
| No. of poles | 5 |
| LED display | no |
| Locking of ports | Screw thread 7/8" (recommended torque 1.5 Nm) self-securing |
| Compression gland | 7/8" (SW24) |
| Protection | IP68 inserted and tightened (EN 60529) |
| Locking material | Zinc die casting, matte nickel plated |
| Material | PUR |

General data

| | |
|-------------------|--|
| Mounting method | inserted, tightened |
| Pollution Degree | 3 |
| Temperature range | -25...+80 °C, depending on cable quality |

Cables

| | |
|----------------------------|--|
| Cable number | U1D |
| No./diameter of wires | 5× 1.5 mm ² |
| Wire isolation | PVC (bk, or, gn, rd, wh) |
| Jacket Color | yellow |
| Material (jacket) | TPE (UL/CSA) |
| Outer Ø | 9.8 mm ±5% |
| Bend radius (moving) | 10× outer Ø |
| Temperature range (fixed) | -50...+105 °C |
| Temperature range (mobile) | -20...+90 °C |
| Cable identification | U1D |
| Approval (cable) | UL (AWM-Style 21002/1841), CSA |
| Cable weight [g/m] | 144,10 |
| Material (wire) | Cu wire, bare |
| Resistor (core) | max. 13.2 Ω/km (20 °C) |
| Single wire Ø (core) | 0.16 mm |
| Construction (core) | 65× 0.16 mm (multi-strand wire class 6) |
| AWG | similar to AWG 16 |
| Material (wire isolation) | PVC |
| Wire-Ø incl. isolation | 2.6 mm ±5% |
| Color/numbering of wires | bk, or, gn, rd, wh |
| Stranding combination | 5 wires twisted around central filler |
| Shield | no |
| Material (jacket) | TPE |
| Outer-Ø (jacket) | 9.8 mm ±5% |
| Color (jacket) | yellow |
| chemical resistance | good resistance to oil, gasoline and chemicals |
| thermal resistance | flame retardant UL, FT4 |
| Nominal voltage | 600 V |
| Test voltage | 6 kV spark test |
| Current load capacity | NEC (National Electric Code) |
| Temperature range (fixed) | -50...+105 °C |
| Temperature range (mobile) | -20...+90 °C |
| Bend radius (fixed) | 8× outer Ø |
| Bend radius (moving) | 10× outer Ø |
| Torsion stress | ±90°/m |
| No. of torsion cycles | 2 Mio. |

Commercial data

| | |
|-------------------|----|
| country of origin | DE |
|-------------------|----|

| | |
|-----------------------|---------------|
| customs tariff number | 85444290 |
| EAN | 4048879630627 |
| eClass | 27279218 |
| Packaging unit | 1 |