

M12 FEMALE 0° FIELD-WIREABLE SCREW TERM.8-pol. max.0.5mm² 6-8mm

Female straight

M12, 8-pole

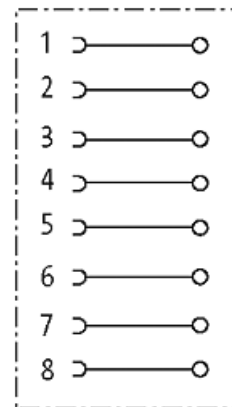
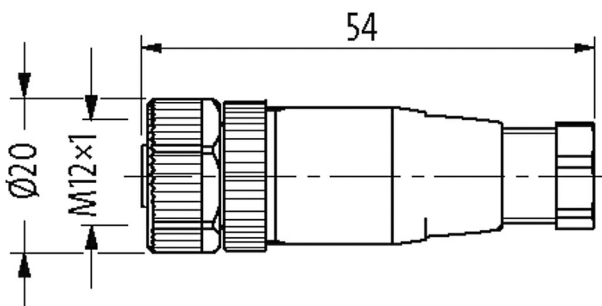
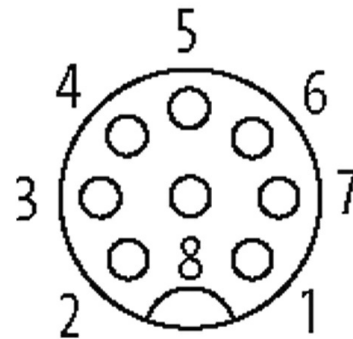
Sealing range (cable Ø): 6...8 mm

Plastic housings with good resistance against chemicals and oils.

The resistance to aggressive media should be individually tested for your application. Further details on request.

[Link to Product](#)**Illustration**

Female



Product may differ from Image

**Form**

Form 17321

Technical Data

Operating voltage	max. 30 V AC/DC
Operating current per contact	max. 2 A
Connection cross section	max. 0.5 mm ²
Sealing range (cable Ø)	6...8 mm

The information in this brochure has been compiled with the utmost care.

Liability for the correctness completeness and topicality of the information is restricted to gross negligence. Version: 03/22

Murrelektronik Ltd. | 5 Albion Street, Pendlebury Industrial Estate, Swinton | Manchester M27 4FG | Fon +44 161 728 3133 | Fax +44 161 728 3130 | shop@murrelektronik.co.uk | shop.murrelektronik.co.uk

Locking of ports	Screw thread (M12×1 mm) recommended torque 0.6 Nm, self-securing
Protection	IP67 inserted and tightened (EN 60529)

General data

Temperature range	-40...+85 °C
-------------------	--------------

Commercial data

country of origin	DE
customs tariff number	85366990
EAN	4048879195331
eClass	27279221
Packaging unit	1