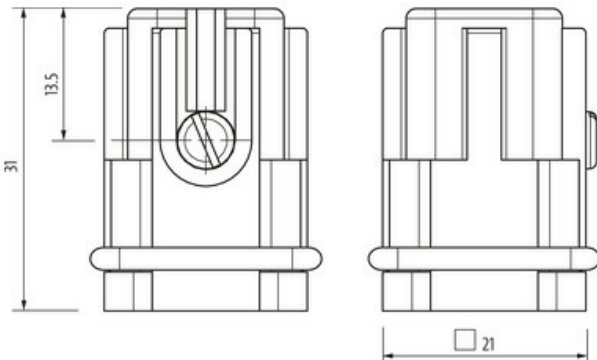
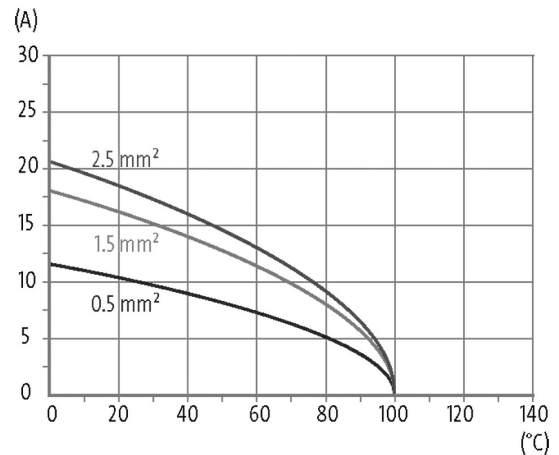


A3 male 7-pole, crimp t., 250 V, 16 A

A3
Male
7-pole
Crimp

Technical data will be only guaranteed with Murrelektronik components.
Acc. to EN 61984 rated voltage only valid in plastic housings. In metal housings the rated voltage is 42 V (without additional insulation).

[Link to Product](#)**Illustration**

Product may differ from Image

**Technical Data**

Operating voltage	250 V AC/DC
Rated surge voltage	4.0 kV
Operating current	16 A
No. of poles	7 + PE
Material group	IIIa
Mating cycles	min. 500
Connection	Crimp

Connection cross section	0.14...2.5 mm ² (AWG 26...13)
Holding force	> 70 N
Insertion and withdrawal force	< 25 N
Isolation resistance	≥ 10 ⁸ Ω
Contact resistance	≤ 5 mΩ
Over voltage category	III
Wire-Ø incl. isolation	max. 4.3 mm

General data

Material (contact)	Brass
Material (contact surface)	Ag
Pollution Degree	3
Temperature range	-40...+125 °C
Material (contact carrier)	PBT GF
Flammability class	V-0 (acc. to UL 94)
Size	A3
Type	Male
Climatic category	40/125/21
Dimensions H×W×D	31×21×21 mm

Cables

Current load capacity	see derating curve
-----------------------	--------------------

Commercial data

country of origin	CZ
customs tariff number	85389099
EAN	4048879638784
eClass	27143424
Packaging unit	1.000