

Mico Pro PS 10-100-240/24

INPUT: 90...265 V AC

OUTPUT: 24...28 V DC

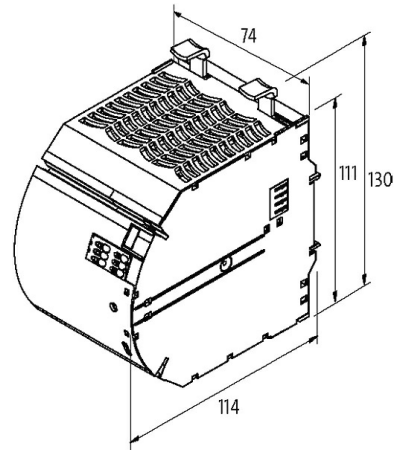
Current: 10 A

Build your own Mico Pro® online:

<https://micopro.murrelektronik.com>

Link to Product

Illustration



Product may differ from Image



General data

Standards	IEC 61010-2-201, EN 61204-3, EN 61000-3-2
Mounting method	DIN-rail mountable TH35 (EN 60715)
Temperature range	-25...+55 °C (storage temperature -40...+85 °C)
Relative humidity	5...95%, no condensation
Protection	IP20
Efficiency	91.8% (115 V AC); 93.6% (230 V AC)
Connection	Push-In spring clamp terminals
Dimensions HxWxD	130x74x114 mm

Output

Output voltage	24 V DC (SELV), ±1%; 24...28 V adjustable
Output current	10 A
Mains failure bridging time	min. 44 ms (115 V AC); min. 44 ms (230 V AC)
Ripple	max. 20 mV eff/rms
Spikes	max. 380 mV ss/pp
Unit protection	Short-circuit, overload and temperature
LED display (Power)	LED (green): OK; LED (red): overload, overheating or short-circuit
LED display (Mico Pro)	LED (red): Failure
Parallel usage/serial usage	max. 2 units/no

Input

Input voltage	90...265 V AC
Input current	3.7 A (115 V AC); 1.7 A (230 V AC)

Inrush current after 1 ms	max. 25 A
Power factor	0.69 (115 V AC); 0.62 (230 V AC)
Frequency	50..60 Hz
Input fuse (internal)	6.3 A (T)

Control inputs

Input voltage (ON)	9...30 V DC
Impulse length (CTRL)	OFF "high" 40/400 ms, ON "high" 20/200 ms
Input voltage (CTRL)	9...30 V DC
Impulse length (ON)	"high" 120 ms

Control outputs

Early warning (90%)	max. 30 V AC/DC
Group alarm output	max. 30 V AC/DC

Commercial data

country of origin	CZ
customs tariff number	85044082
EAN	4048879695817
eClass	27141901
Packaging unit	1.000