

## VALVE PLUG SUPPRESSOR FORM BI - 11MM

With LED, 24VAC/DC/50VA/W

24 V AC/DC

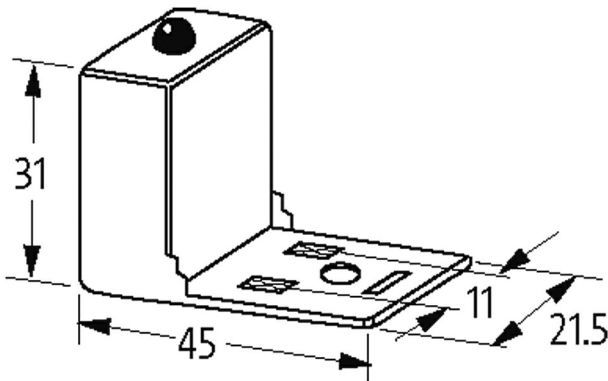
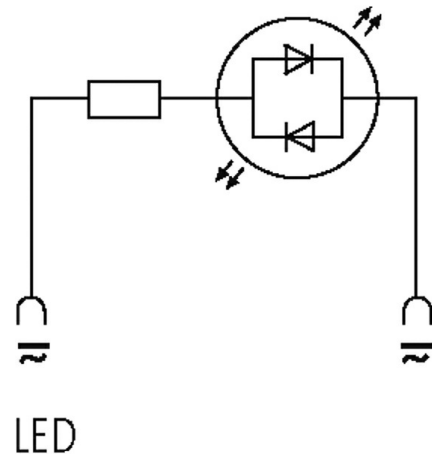
LED

Remove plug gasket when fitting adapter. Other LED colors on request.

Note PIN arrangement (PE at cable outlet of connector). 180° turned version on request.

### [Link to Product](#)

#### Illustration



Product may differ from Image

#### Technical Data

LED display	(yellow opac)
Input voltage	12...24 V AC/DC
max. power (W)	max. 50 W (VA)

#### General data

Material (contact)	Silvered bronze
Temperature range	-20...+60 °C
Housing	Polyamide black, flame retardant, temperature resistance up to 130 °C
Dimensions H×W×D	31×45×21.5 mm

#### Commercial data

country of origin	CZ
customs tariff number	85363010
EAN	4048879011983

---

eClass	27371013
Packaging unit	1.000

---