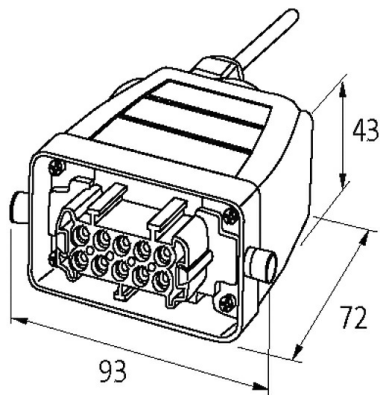
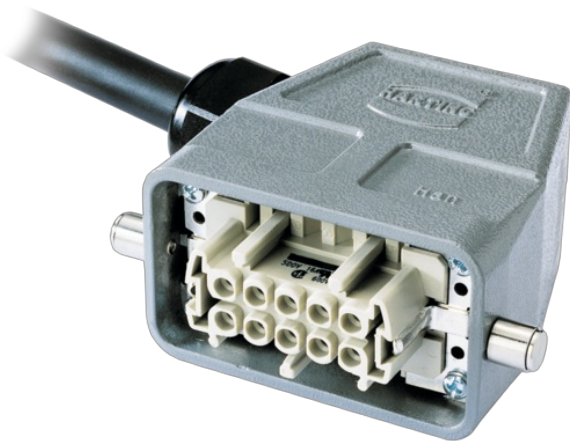


MOTOR SUPPRESSION SHIELDING PLUGGABLE

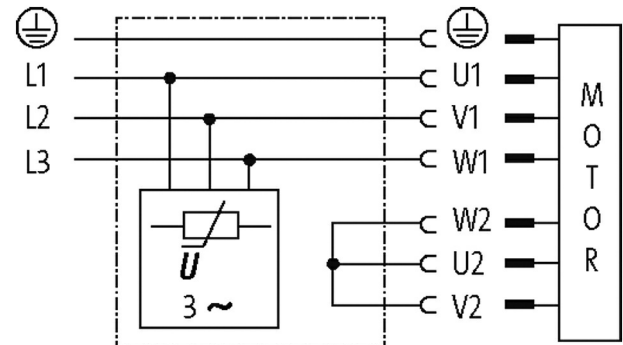
5M PUR 5,5KW-3X575

3× 575 V AC
VDR/star
5.0 m

[Link to Product](#)**Illustration**

(without compression gland)

Product may differ from Image



Varistor-suppression (star)

Technical Data

| | |
|---------------------|-----------------------------------|
| Input voltage | 400...575 V AC |
| Housing | Aluminum die-cast (powder-coated) |
| Operating frequency | 10...400 Hz |
| Plug connector | Females, 10-pole + PE |
| Cable length | 5.0 m |

General data

| | |
|-------------------|--|
| Temperature range | -20...+60 °C |
| Connection | PUR cable black, 4× 1.5 mm ² , numbered wires, DESINA conform |
| Dimensions H×W×D | 43×93×72 mm |

Commercial data

| | |
|-------------------|----|
| country of origin | CZ |
|-------------------|----|

| | |
|-----------------------|---------------|
| customs tariff number | 85363010 |
| EAN | 4048879015134 |
| eClass | 27371013 |
| Packaging unit | 1.000 |