

Xelity 10 TX IP67 M FE 4P

10 Port FE without PN

M12 Power, 4-pole, L-coded

Supply PIN 1/3

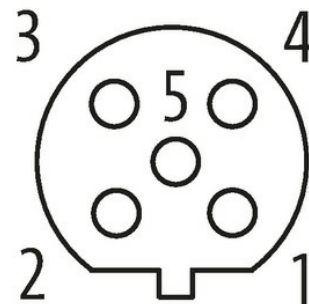
Connection cables are in the online shop under "Connection Technology".

[Link to Product](#)

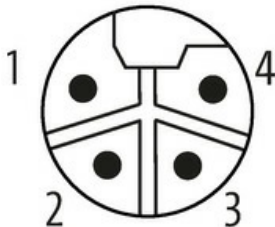
Illustration



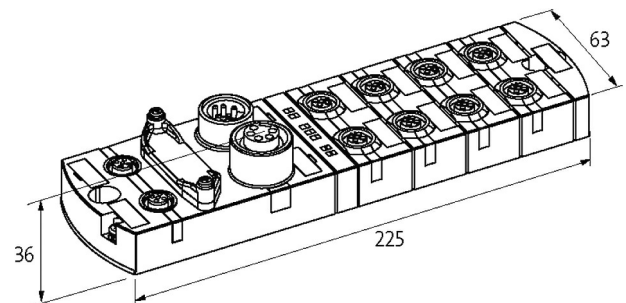
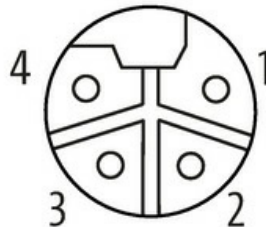
Female



Male



Female



Product may differ from Image

Technical Data

Operating voltage	9...36 V
Transfer rate	10/100 Mbit/s full duplex
Operating modes	Autocrossing Autonegotiation

General data

Mounting method	2-hole screw mounting
Temperature range	-25...+70 °C, ...+70 °C derating (storage temperature -40...+85 °C)
Housing	Metal
Protection	IP67
Dimensions HxWxD	37x63x225 mm

Connections

Fieldbus	10x M12 (female), D-coded
Supply	2x M12 Power, 4-pole, L-coded, 2x max. 16 A

Switch Management

Protocols	DHCP, SNMP (v1, v2c, v3), RSTP, STP, LLDP, NTP, RMON, SSH (CLI) Syslog
-----------	--

NAT	yes
Port Mirroring	yes
VLAN (QoS) IEEE 802.p	yes
Alarm contact	no
Remote maintenance	Open VPN
Webserver	HTTP, HTTPS
Switch Form	Managed Switch

Diagnostic

Communication status	via LED, LLDP
Monitoring - no voltage	yes

Commercial data

country of origin	DE
customs tariff number	85176200
EAN	4048879866255
Packaging unit	1.000