

M12 Power T-coded male receptacle front mount

wires PVC 4x1.5 0,2m

Flange male

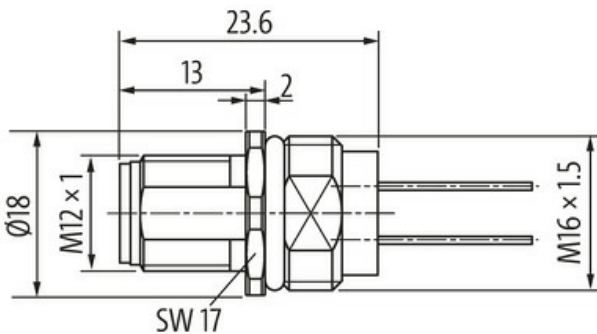
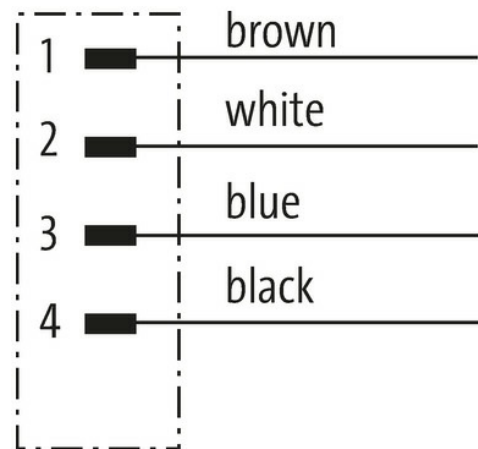
M12, 4-pole

T-coded

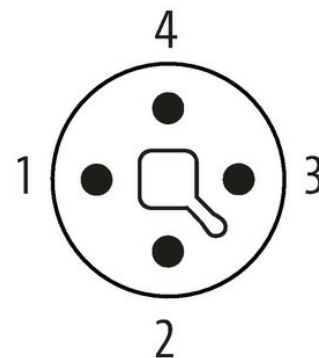
Front mounting

with multi-strand wire

The resistance to aggressive media should be individually tested for your application. Further details on request.
Further cable lengths on request.

[Link to Product](#)**Illustration**

Male



Product may differ from Image

**Form**

Form

P7281

Technical Data

Operating voltage

max. 63 V AC/DC

Rated surge voltage	1.5 kV
Operating current per contact	max. 12 A
Material group	IEC 60664-1, category II
Coding	T-coded
Mating cycles	≥ 100
Locking of ports	Screw thread (M12×1 mm) recommended torque 0.6 Nm, self-securing
Compression gland	Flange (SW17)
Protection	IP68 inserted and tightened (EN 60529)

General data

Material (contact)	Copper alloy
Material (contact surface)	Au
Pollution Degree	3
Temperature range	-40...+85 °C, depending on cable quality
Material (contact carrier)	PA
Mounting set	Screw thread (M16×1.5 mm) mounting nut

Cables

No./diameter of wires	4× 1.5 mm ²
Wire isolation	PVC (br, wh, bl, bk)
Cable number	941
Temperature range (fixed)	-40...+85 °C

Commercial data

country of origin	DE
customs tariff number	85444290
EAN	4048879641104
eClass	27279220
Packaging unit	1.000