

Emparro Cap 40/24 300ms

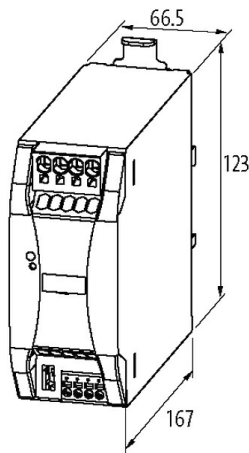
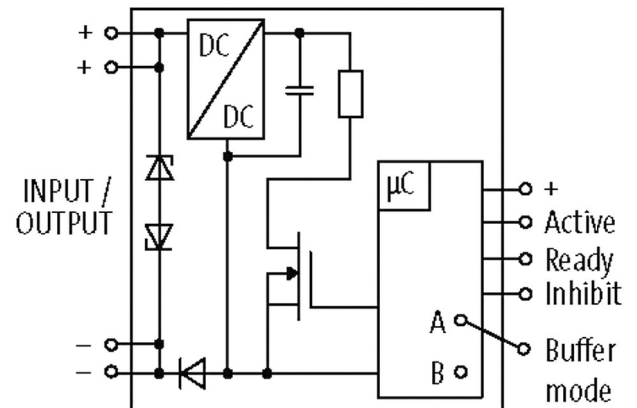
INPUT: 24 V DC (SELV/PELV)

OUTPUT: max. 40 A

min. 0.3 s (40 A); min. 1.2 s (10 A); min. 2.4 s (5 A); min. 8 s (1.5 A)

[Link to Product](#)

Illustration



Product may differ from Image



General data

Standards	EN 61000-6-2, EN 61000-6-3, EN 55022 B
Mounting method	DIN-rail mountable TH35 (EN 60715)
Temperature range	-25...+70 °C (storage temperature -40...+85 °C)
Efficiency	99%
Dimensions H×W×D	123×66.5×167 mm

Output

Output voltage	22.5 V DC (21...27 V DC), buffer operation
Parallel circuit	possible

The information in this brochure has been compiled with the utmost care. Liability for the correctness completeness and topicality of the information is restricted to gross negligence. Version: 03/22

Current limit	48 A
Buffer time	min. 0.3 s (40 A); min. 1.2 s (10 A); min. 2.4 s (5 A); min. 8 s (1.5 A)
Operating modes	2 (buffer)
Output current	max. 40 A
Ripple	max. 500 mV ss/pp

Input

Input voltage	22...28 V DC (SELV/PELV)
Protection of voltage spikes	max. 36 V DC
Loading current	max. 1 A
Loading time	22...65 s

Commercial data

country of origin	CZ
customs tariff number	85044090
EAN	4048879790956
eClass	27049190
Packaging unit	1.000