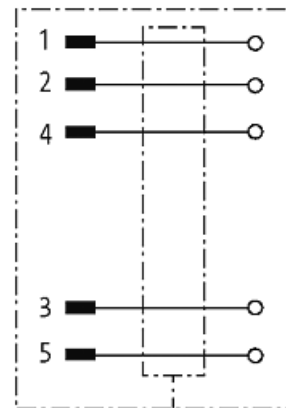
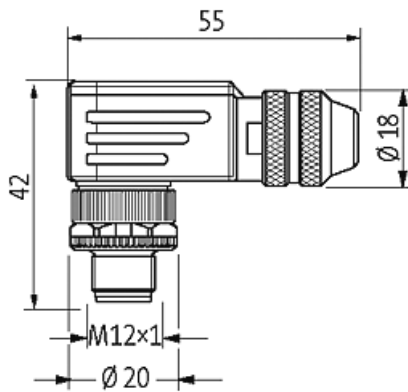
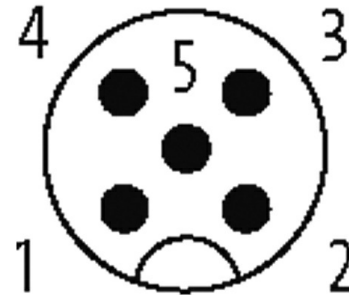


M12 MALE 90° SHIELDED WIREABLE SCREW TERM.5-pol. max.0,75mm² 6-8mm

Male 90°
M12, 5-pole
A-coded
shielded

[Link to Product](#)**Illustration**

Male



Product may differ from Image

Form

Form 13361

Technical Data

Operating voltage	max. 60 V AC/DC
Operating current per contact	max. 4 A
Connection cross section	max. 0.75 mm ²
Sealing range (cable Ø)	6...8 mm
Protection	IP67 inserted and tightened (EN 60529)
Housing	Brass, nickel plated

General data

Temperature range -40...+85 °C

Commercial data

country of origin	DE
customs tariff number	85366990
EAN	4048879198813
eClass	27279221
Packaging unit	1