

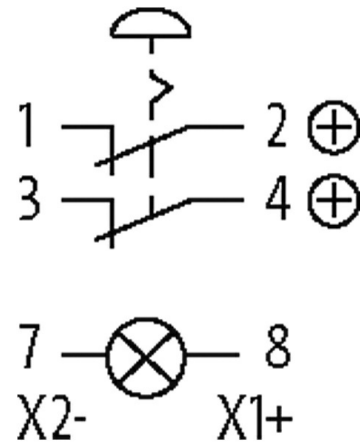
Emergency stop with 2 positive opening

contacts in a IP65 enclosure

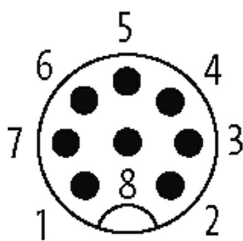
E-Stop 42 2NC L M12(8)
with M12 connection
8-pole
Emergency-Stop button
2 NC (positively-opening)
LED-Ring can be lit

Link to Product

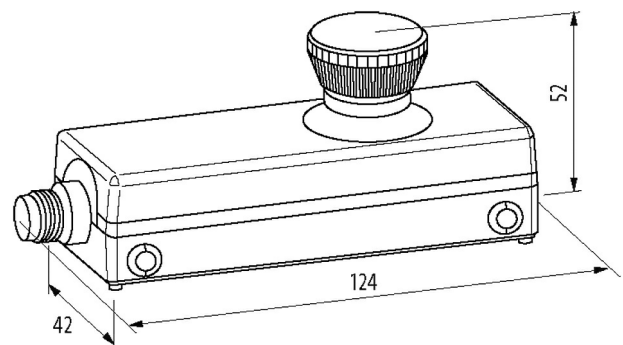
Illustration



Male



PIN 1: N/C 1
PIN 2: N/C 1
PIN 3: N/C 2
PIN 4: N/C 2
PIN 5: n.c.
PIN 6: n.c.
PIN 7: (X2/-)
PIN 8: (X1/+)



Product may differ from Image



Technical Data

Operating voltage	1...36 V DC (UR: 30 V DC)
Operating current	1.5 A
Contact bounce time	max. 10 ms
LED Light	max. 30 V AC/DC typ. 4 mA (24 V DC)

General data	
Mounting method	with clip on back
Material (contact)	Ag Ni
Temperature range	-25...+70 °C (storage temperature -25...+85 °C)
Lambda (d)	20% (N/C)
B10d	250 000
Mech./ elect. life	50 000 actuations, load-temperature dependent
Protection	IP65
Connection	M12 (8-pole)
Dimensions H×W×D	52×124×42 mm
Contact Layout	
PIN 1	N/C 1
PIN 2	N/C 1
PIN 3	N/C 2
PIN 4	N/C 2
PIN 5	n.c.
PIN 6	n.c.
PIN 7	(X2/-)
PIN 8	(X1/+)
Commercial data	
country of origin	DE
customs tariff number	85365080
EAN	4048879594219
eClass	27371244
Packaging unit	1.000