

## T coupler MQ15 male/ 2x MQ15 female

T-coupler

MQ15 X-Power

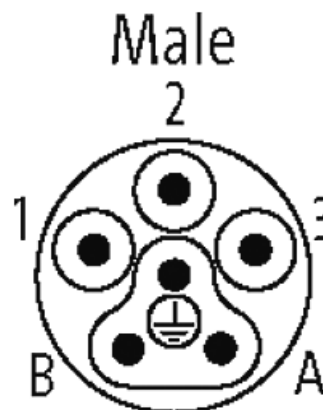
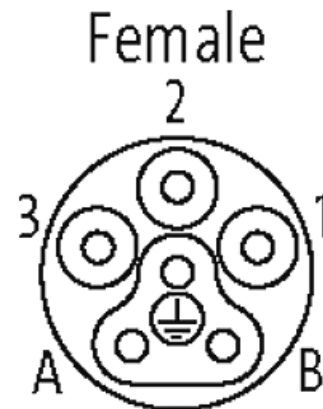
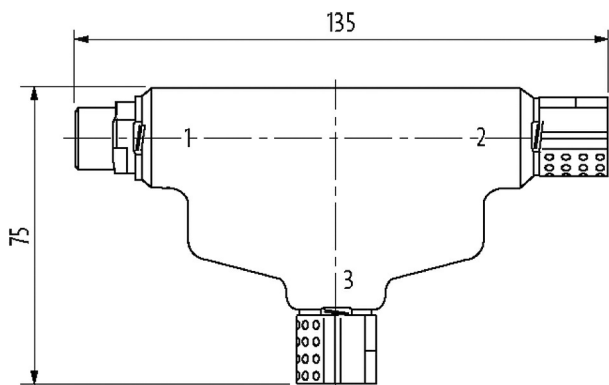
Female straight – female/male straight

Plastic housings with good resistance against chemicals and oils.

The resistance to aggressive media should be individually tested for your application. Further details on request.

### [Link to Product](#)

#### Illustration



Product may differ from Image

#### Technical Data

|                               |   |
|-------------------------------|---|
| Operating voltage             | max. 600 V AC (Power); max. 63 V AC/DC (Signal) |
| Rated surge voltage           | 2.5 kV  |
| Operating current per contact | max. 16 A (Power); max. 10 A (Signal)           |
| No. of poles                  | 6   |
| Protection                    | IP67 inserted and tightened (EN 60529)          |
| Locking material              | PA  |
| Connection cross section      | 2.5 mm <sup>2</sup>                             |

#### General data

|                    |   |
|--------------------|---|
| Pollution Degree   | 3                                       |
| Temperature range  | -40...+90 °C                            |
| Material (gasket)  | NBR                                     |
| Material (housing) | Flame retardant plastic acc. to (UL 94) |

#### Commercial data

|                       |               |
|-----------------------|---------------|
| country of origin     | DE            |
| customs tariff number | 85366990      |
| EAN                   | 4048879798020 |
| eClass                | 27279220      |
| Packaging unit        | 1             |