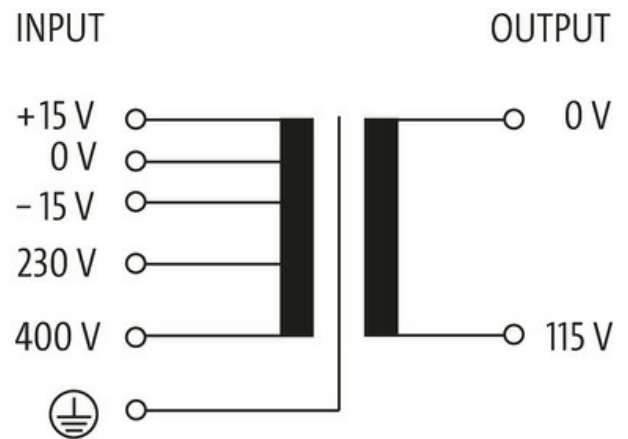


MST SINGLE-PHASE CONTROL AND ISOLATION TRANSFORMER

P:250VA IN:230/400±15VAC OUT:115VAC

Single-phase - Control and Isolation Transformers
 250 VA
 Isolation class T 40/B
 Other voltages on request.

[Link to Product](#)**Illustration**

Product may differ from Image

General data

Standards	EN 61558-2-4, EN 62041 category 0
Mounting method	Key-hole mounting
Temperature range	-20...+40 °C (storage temperature -40...+80 °C)
Test isolation voltage	5.8 kV (prim./sec.)
Drill hole Ø	5.8x10 mm
Fixing centers a×b×c	84×84×5.8 mm
Dimensions H×W×D	104.3×96×105 mm

Output

Output voltage	115 V AC
Output rating	250 VA

Input	
Input voltage	230/400 ±15 V AC
Inrush current	12 A (230 V AC); 7 A (400 V AC)
Short-circuit current	19 A (230 V AC); 11 A (400 V AC)
Input current	1.25 A (230 V AC); 0.72 A (400 V AC)
Frequency	50...60 Hz
Commercial data	
country of origin	CZ
customs tariff number	85043180
EAN	4048879328562
eClass	27031202
Packaging unit	1.000