

EUROCARD HOLDER

SKP 64/IB

Screw terminals

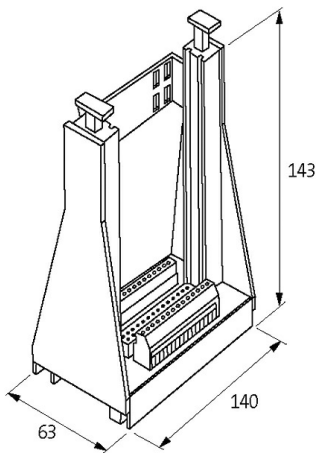
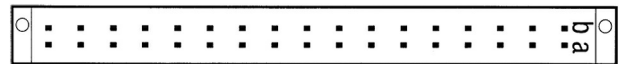
64-pole B (EN 60603)

Row a, b

With the vertical snap adapter SASA 135 Art.-No. 63900 the holder can be mounted at right-angles on the rail.
The D2 size is for a card without a front plate.

Link to Product

Illustration



Product may differ from Image

Technical Data

Operating voltage	250 V AC
Operating current	max. 2 A
Material group	EN 60664-1 over voltage, category I
Material	Plastic, flame retardant
Configuration	64-pole B (EN 60603)

General data

Mounting method	DIN-rail mountable (EN 60715) or screw fixing
Connection	4 mm ² single core
Dimensions H×W×D	137×63×170 mm

Description

Functional description

To insert the card first press down the 2 yellow buttons. Then slide the Eurocard into the guide slots pushing until fully engaged. The card is now locked into position. It can be removed by pressing down on the 2 yellow buttons.

Commercial data

country of origin	CZ
customs tariff number	85366990
EAN	4048879042093
eClass	27260710
Packaging unit	1.000