

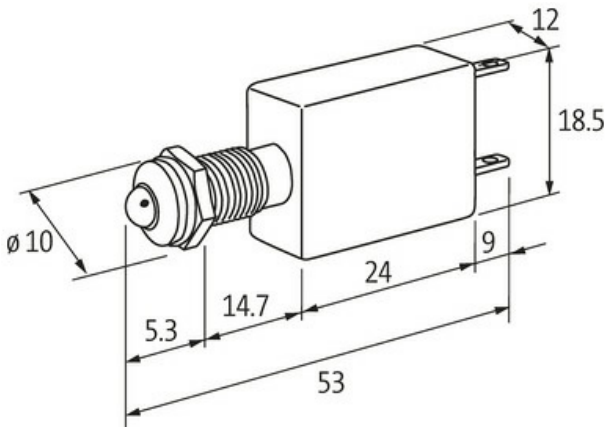
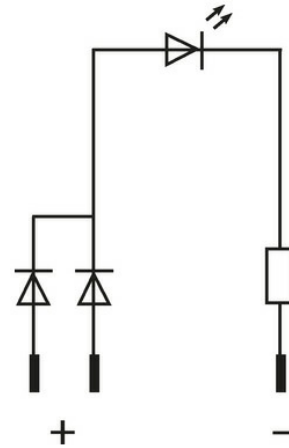
LED-display green 24VDC IP67 lamptest

Product discontinued, no alternative

(green)
24 V DC
Protection IP67
with lamp test input

[Link to Product](#)

Illustration



Product may differ from Image

Technical Data

| | |
|---------------------------------|-----------------------|
| Operating voltage | 24 V AC/DC $\pm 15\%$ |
| Current consumption | 15 ± 2 mA |
| Protection (IEC 60529/EN 60529) | IP67 |

General data

| | |
|-----------------------------|---------------------|
| Temperature range | -40...+70 °C |
| Front panel hole diameter Ø | 8 mm |
| LED Ø | 5 mm |
| Housing | Adapter - PVC, gray |
| Connection | Faston 2.8x0.8 mm |
| Dimensions HxWxD | 18.5x12x53 mm |

Commercial data

| | |
|-----------------------|---------------|
| country of origin | DE |
| customs tariff number | 85318070 |
| EAN | 4048879040587 |
| eClass | 27261590 |
| Packaging unit | 10.000 |