



Main

Range of product	Altivar Lexium
Product or component type	Braking resistor
Range compatibility	Lexium 15 Lexium 32 Lexium 32i Lexium 52
Ohmic value	100 Ohm
Continuous power	100 W
Cable length	2 m

Complementary

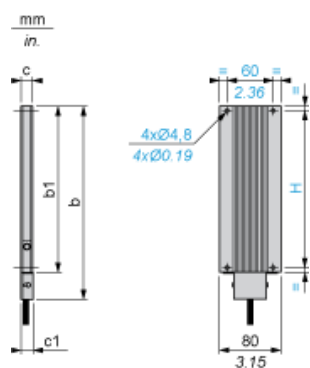
Energy peak	2700 J at 480 V 3000 J at 400 V 4500 J at 230 V 4400 J at 115 V
Protection type	Thermal protection via the servo drive
Product weight	0.56 kg

Environment

Ambient air temperature for operation	0...50 °C
Ambient air temperature for storage	-25...85 °C
IP degree of protection	IP65
IP degree of protection	IP65

Braking Resistor

Dimensions



Dimensions in mm

b	b1	c	c1	H
145	110	15	15.5	98

Dimensions in in.

b	b1	c	c1	H
5.70	4.33	0.59	0.61	3.85