

PRE-WIRED CAP FOR EXACT8, 4XM8, 3 POLE

15.0m PUR/PVC 4X0.34+2x0,75

for 4-way distribution box, 3-pole

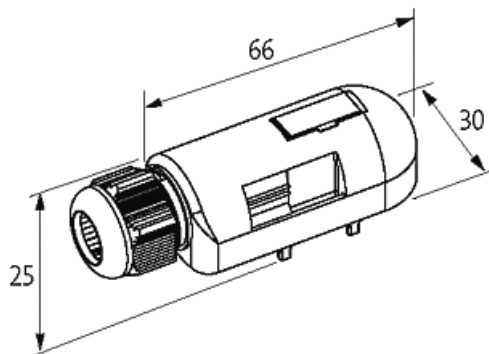
Further cable lengths on request.

Plastic housings with good resistance against chemicals and oils.

The resistance to aggressive media should be individually tested for your application. Further details on request.

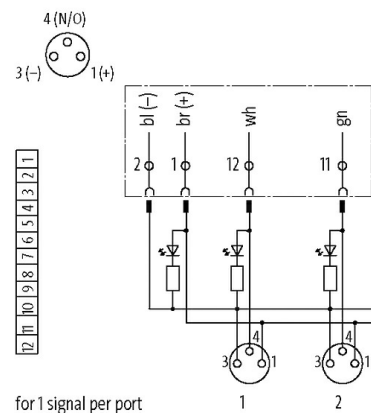
PUR/PVC

15.0 m

[Link to Product](#)**Illustration**

Product may differ from Image

M8-Females 3-pole

**Technical Data**

Total current	max. 8 A
Housing	Plastic, flame retardant

General data

Temperature range	-20...+80 °C, depending on cable quality
-------------------	--

Cables

Cable number	337
--------------	-----

No./diameter of wires	4× 0.34 + 2× 0.75 mm ²
Wire isolation	PVC (br, bl, ye, wh, gn, gr)
C-track properties	2 Mio.
Jacket Color	gray
Material (jacket)	PUR/PVC
Outer Ø	6.9 mm ±5%
Bend radius (fixed)	5× outer Ø
Bend radius (moving)	10× outer Ø
Temperature range (fixed)	-30...+80 °C
Temperature range (mobile)	-5...+60 °C
Color (jacket)	gray

Commercial data

country of origin	CZ
customs tariff number	85444290
EAN	4048879056328
eClass	27143423
Packaging unit	1