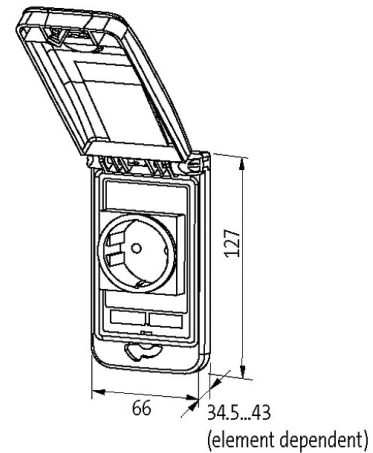


**MODLINK MSDD FRAME SINGLE GRAY**

Closure 3 mm double bit incl. pluggable knob

Frame: plastic PA black  
Lid: plastic, PBT gray  
Closure: 3 mm double bit  
with attachable rotation knob

**Link to Product****Illustration**

Product may differ from Image

**Frame**

suitable for mounting with wall thickness	1...5 mm
Protection	IP65
Temperature range	-30...+70 °C (storage temperature -30...+80 °C)
Housing	Frame: plastic PA black, cap: plastic PBT gray

**General data**

Dimensions H×W×D	127×66×43 mm
------------------	--------------

**Commercial data**

country of origin	DE
customs tariff number	85389099
EAN	4048879368841
eClass	27189217
Packaging unit	1.000