

**D/A-CONVERTER 8-BIT - OUTPUT 0 ... 10V**

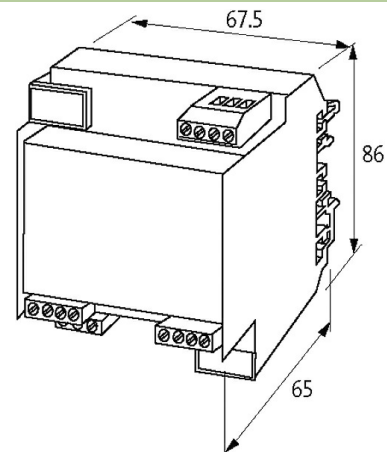
IN: 8 Bit - OUT: 0-10 VDC

D/A converter

8 Bit

0...10 V

Input and output galvanically separated

[Link to Product](#)**Illustration**

Product may differ from Image

**Technical Data**

Operating voltage	21...30 V DC, smoothed (with LED)
Operating current	100 mA (idle load), max. 150 mA (full load)
Release input E	log 1 $\geq$ 16 V, log 0 $\leq$ 6 V
Tolerance	$\pm 1\%$

**General data**

Mounting method	DIN-rail mountable (EN 60715)
Temperature range	0...+50 °C
Test isolation voltage	2.5 kV
Dimensions HxWxD	65x67.5x86 mm

**Output**

Output current	max. 40 mA (0...10 V DC); max. 20 mA (0...20 mA), 4...20 mA
----------------	-------------------------------------------------------------

**Input**

Input signal	0...30 V DC (with LED display)
Input current	max. 10 mA/Bit

**Description**

Functional description	The maximum output signal of converters with voltage output can be adjusted to the operating voltage minus 2 V. The outputs are short-circuit protected and overload protected due to internal current limiting.
------------------------	------------------------------------------------------------------------------------------------------------------------------------------------------------------------------------------------------------------

**Commercial data**

country of origin	CZ
customs tariff number	85437090
EAN	4048879028639
eClass	27210990
Packaging unit	1.000