

MVP12, 8XM12, MOSA, PLUGGABLE CABLE

10.0m PUR-JB 16x0,34+5x0,75

8-way, 5-pole, MOSA

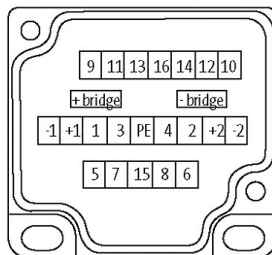
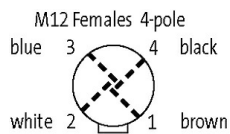
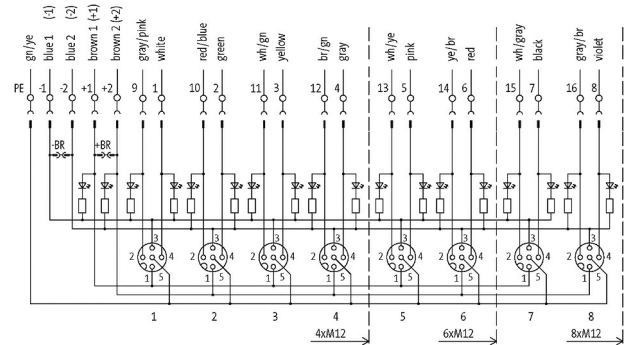
PUR/PVC

10.0 m

potentially separated

with LED for digital PNP-signals 24 V DC

quick connection elements included

Link to Product**Illustration**

for 2 signals per port

Product may differ from Image

Technical Data

Operating voltage	24 V DC
Operating current per contact	max. 4 A
Locking of ports	Cap nut
Connection cross section	0.25...0.5 mm ²
Protection	IP67 inserted and tightened (EN 60529)
Housing	Plastic, flame retardant
Signal per port	2
Total current	max. 2x 8 A

General data

Temperature range	-20...+80 °C
Dimensions HxWxD	43x50.2x170 mm

Cables

No./diameter of wires	16× 0.34 + 5× 0.75 mm ²
Wire isolation	PVC
C-track properties	1.5 Mio.
Outer Ø	12.5 mm ±5%
Cable number	404
Material (wire)	Cu wire, bare
Resistor (core)	max. 57 Ω/km (0.34 mm ²), max. 26 Ω/km (0.75 mm ²); (20 °C)
Jacket Color	gray
Temperature range (fixed)	-30...+80 °C
Temperature range (mobile)	-30...+80 °C
Bend radius (fixed)	10× outer Ø
Bend radius (moving)	12× outer Ø
Material (jacket)	PUR/PVC

Contact Layout

PIN 1	(+)
PIN 2	(NC)/(S2)
PIN 3	(-)
PIN 4	(NO)/(S1)
PIN 5	(Earth)
	LED (green): Power / LED (yellow): (S1/S2)

Commercial data

country of origin	DE
customs tariff number	85369010
EAN	4048879057561
eClass	27279219
Packaging unit	1.000