

MTS SINGLE-PHASE SAFETY TRANSFORMER

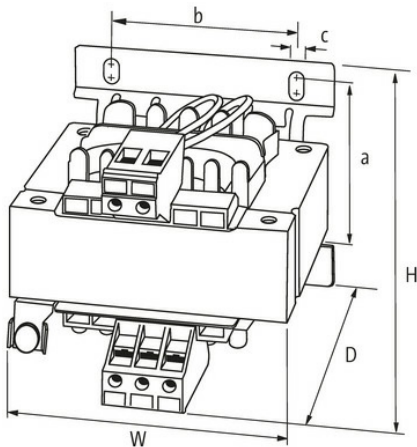
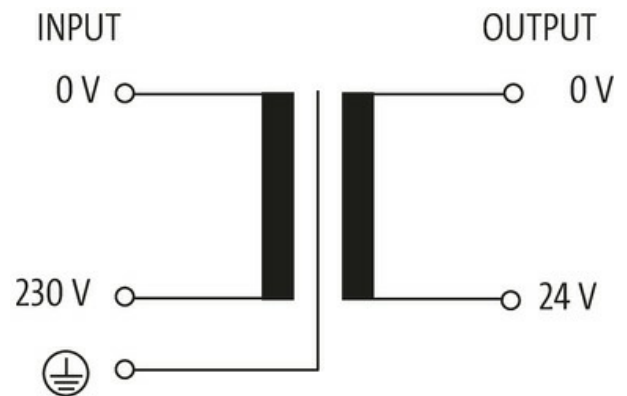
P:30VA IN:230VAC OUT:24VAC

Single-phase - Control and Isolation Transformers

30 VA

Isolation class T 40/B

Other voltages on request.

[Link to Product](#)**Illustration**

Product may differ from Image

General data

Standards	EN 61558-1, EN 61558-2-6, EN 62041 category 0
Mounting method	Screw and DIN-rail mounting
Temperature range	-20...+40 °C (storage temperature -40...+80 °C)
Test isolation voltage	3.8 kV
Drill hole Ø	4.8x8.4 mm
Fixing centers a×b×c	56×56×4.8 mm
Dimensions H×W×D	92×79×93 mm

Output

Output voltage	24 V AC
Output rating	30 VA

Input	
Input voltage	230 V AC
Inrush current	0.95 (230 V AC)
Short-circuit current	1.35 A (230 V AC)
Input current	0.17 A (230 V AC)
Frequency	50...60 Hz
Commercial data	
country of origin	CZ
customs tariff number	85043180
EAN	4048879310505
eClass	27031202
Packaging unit	1.000