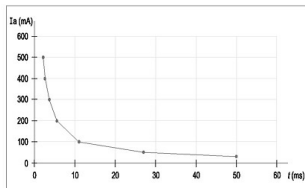
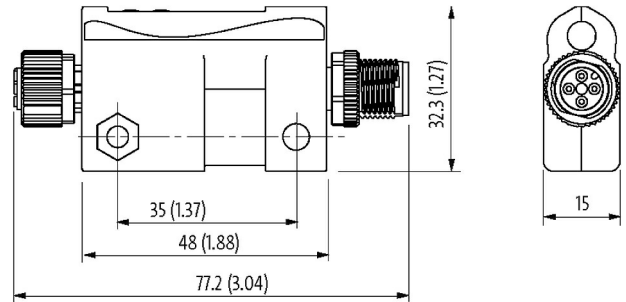


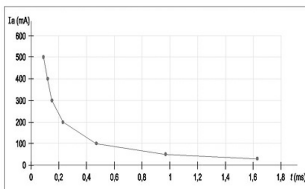
Adaptor M12 Male / M12 Female

Buffer module for DO (Pin 4-3)

Adapter
Male - female
M12 – M12, 4-pole
max. 2 A
11 μ F

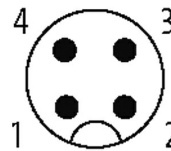
Link to Product**Illustration**

Buffering/Output (24 V to 0 V)



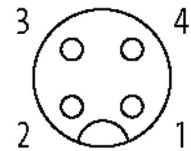
Buffering/Output (24 V to 18 V)

Male



PIN 1: n.c.
PIN 2: n.c.
PIN 3: 0 V
PIN 4: DO

Female



PIN 1: n.c.
PIN 2: n.c.
PIN 3: 0 V
PIN 4: DO

Product may differ from Image

**Form**

Form 55112

Technical Data

Operating voltage 24 V DC external (18...30.2 V DC) EN 61131-2

Protection IP67 inserted and tightened (EN 60529)

Total current max. 2 A

Capacity 11 μ F**General data**

Temperature range -30...+70 °C (storage temperature -40...+85 °C)

Relative humidity $\leq 85\%$

Commercial data

country of origin	DE
customs tariff number	85322400
EAN	4048879713481
eClass	27143423
Packaging unit	1