

MOELLER CONTACTOR SUPPRESSOR

RC, 110/230VAC

110 V AC/DC

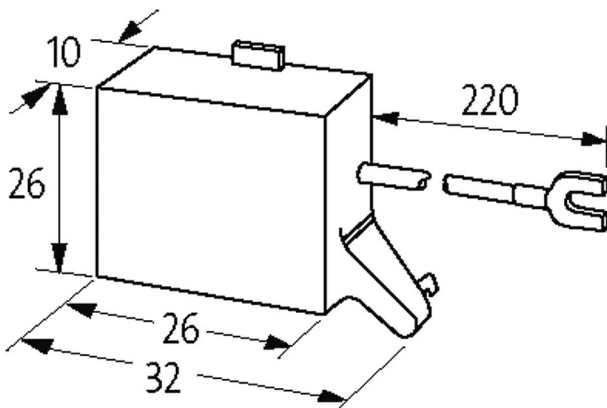
230 V AC/DC

RC

For other configurations and voltages, please inquire.

[Link to Product](#)**Illustration**

RC



Product may differ from Image

**Technical Data**

Input voltage	110...250 V AC/DC
Material	Flame retardant plastic acc. to (UL 94)
Damping factor	approx. 1.5× UN
Connection wires	self-securing cable forks

General data

Temperature range	-20...+70 °C
Dimensions H×W×D	27.5×10×32 mm

The information in this brochure has been compiled with the utmost care.
Liability for the correctness completeness and topicality of the information is restricted to gross negligence. Version: 03/22

Murrelektronik Ltd. | 5 Albion Street, Pendlebury Industrial Estate, Swinton | Manchester M27 4FG | Fon +44 161 728 3133 | Fax +44 161 728 3130 | shop@murrelektronik.co.uk | shop.murrelektronik.co.uk

Appropriate contactors

XTMC

DIL E...

Commercial data

country of origin	CZ
customs tariff number	85363010
EAN	4048879020190
eClass	27371013
Packaging unit	1.000