

## CUBE67 BUS NODES

Profibus DP

PROFIBUS DP

Connection technology ECOFAST®

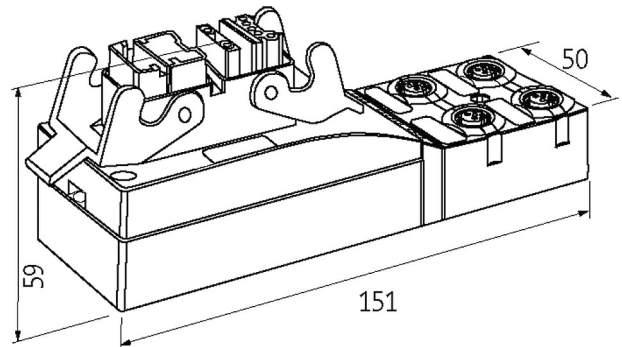
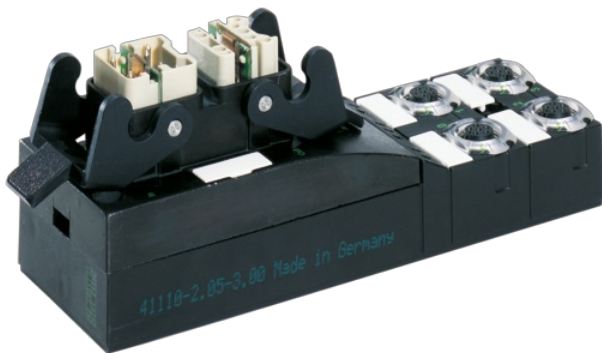
Connection cables are in the online shop under "Connection Technology".

Housing fully potted.

ECOFAST® is a registered trade mark of SIEMENS.

### Link to Product

#### Illustration



Product may differ from Image



#### General data

Mounting method	2-hole screw mounting
Temperature range	0...+55 °C (storage temperature -20...+75 °C)
Protection	IP65
Dimensions H×W×D	151×50×50.3 mm

#### Module supply

Operating voltage	24 V DC (EN 61131-2)
Current consumption	max. 120 mA

#### PROFIBUS

Addressing	Rotary switch 0...99
------------	----------------------

#### Cube system

Module capacity	max. 16
-----------------	---------

#### Connections

Fieldbus	DESINA® ECOFAST®
Sensor-system/actuator supply	DESINA® ECOFAST®
Internal system connection	M12, 6 pole; max. 4 A

#### Diagnostic

Communication status	via LED and BUS
Diagnostic via LED	per module and channel
Diagnostic via BUS	per module and channel
Monitoring - under voltage	yes
Monitoring - no voltage	yes

Short-circuit and overload                      yes

**Commercial data**

country of origin	DE
customs tariff number	85389099
EAN	4048879048613
eClass	27242608
Packaging unit	1.000