

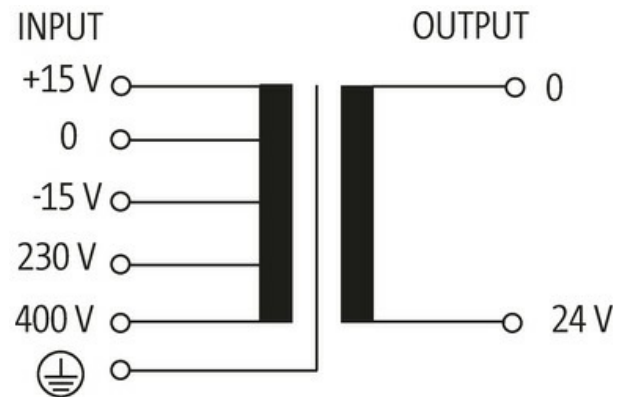
MTS 1-PHASE SAFETY TRANSFORMER

P: 160VA IN: 230/400VAC +/- 15VAC OUT: 24VAC

Single-phase safety transformer
160 VA
Isolation class T 40/B
Other voltages on request.

[Link to Product](#)

Illustration



Product may differ from Image



General data

Standards	EN 61558-1, EN 61558-2-6, EN 62041 category 0
Mounting method	Long-hole mounting or DIN-rail mountable TH35 (EN 60715)
Temperature range	-20...+40 °C (storage temperature -40...+80 °C)
Test isolation voltage	4 kV (prim./sec.)
Drill hole Ø	4.8×8.4 mm
Fixing centers a×b×c	86.5×84×4.8 mm

Dimensions H×W×D 101×96×106 mm

Output

Output voltage 24 V AC (SELV)

Output rating 160 VA

Input

Input voltage 230/400 ±15 V AC

Inrush current 6.1 A (230 V AC); 3.5 A (400 V AC)

Short-circuit current 9.5 A (230 V AC); 5.5 A (400 V AC)

Input current 0.82 A (230 V AC); 0.47 A (400 V AC)

Frequency 50...60 Hz

Commercial data

country of origin CZ

customs tariff number 85043180

EAN 4048879078429

eClass 27031302

Packaging unit 1.000