

## M8 ADAPTOR ON REAR / MSUD VALVE PLUG 9.4 MM

Form CI (9.4 mm) – M8, connector at the rear

24 V AC  $\pm 20\%$  / DC  $\pm 25\%$

LED and suppression

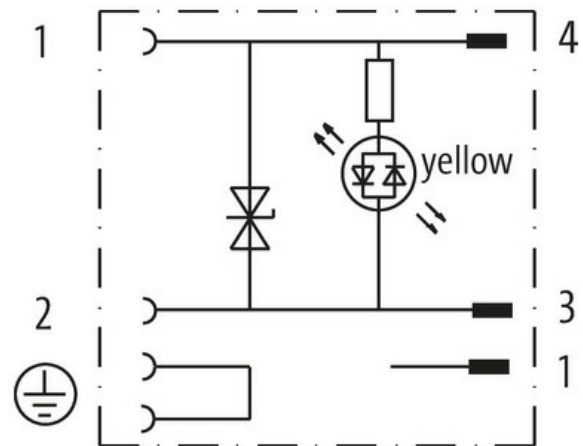
3-pole

Plastic housings with good resistance against chemicals and oils.

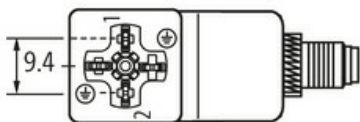
The resistance to aggressive media should be individually tested for your application. Further details on request.

### [Link to Product](#)

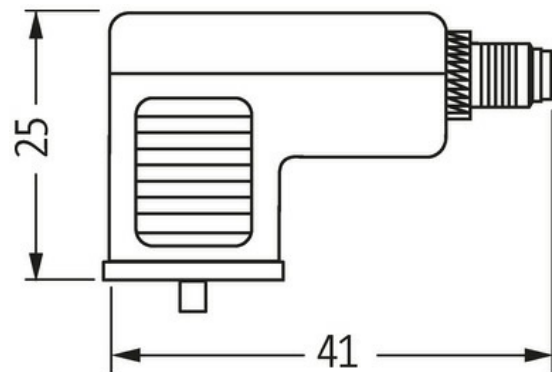
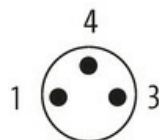
#### Illustration



Female



Male



Depth: 15 mm

Product may differ from Image



#### Form

Form 88995

#### Technical Data

Operating voltage	24 V AC $\pm 20\%$ / DC $\pm 25\%$
Rated surge voltage	0.8 kV
Operating current per contact	max. 4 A

Current consumption	max. 15 mA
Switch off peak	max. 55 V
Locking of ports	M3/M8 (recommended torque 0.4 Nm)
Protection	IP67 inserted and tightened (EN 60529)
Configuration	2 contacts + bridged PE

**General data**

Temperature range	-25...+85 °C
-------------------	--------------

**Commercial data**

country of origin	CZ
customs tariff number	85366990
EAN	4048879347440
eClass	27143423
Packaging unit	1.000