

**M12 female 0° S-coded field-wireable**4-pole max. 1,5mm<sup>2</sup>, 8-10mm

Female straight

M12, 4-pole

S-coded

Screw terminals

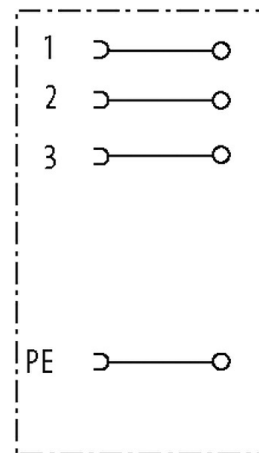
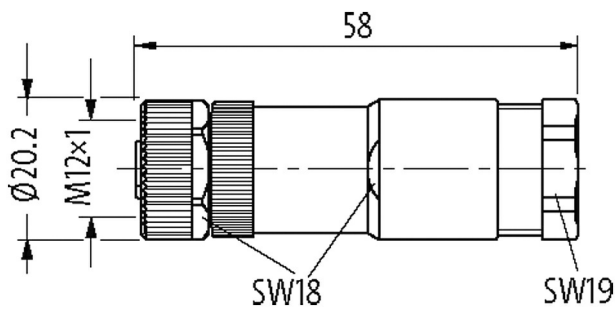
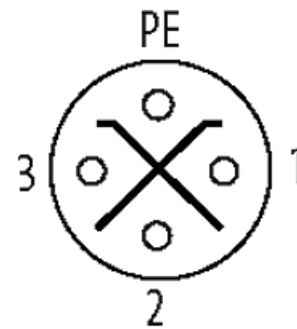
Sealing range (cable Ø): 8...10 mm

Plastic housings with good resistance against chemicals and oils.

The resistance to aggressive media should be individually tested for your application. Further details on request.

[Link to Product](#)**Illustration**

Female



Product may differ from Image

**Form**

Form P6411

**Technical Data**

Operating voltage max. 630 V AC/DC

Rated surge voltage 6.0 kV

Operating current per contact	max. 12 A
Material group	IEC 60664-1, category III
Connection cross section	1.5 mm <sup>2</sup> (with ferrule end); 2.5 mm <sup>2</sup> (without ferrule end)
Coding	S-coded
Sealing range (cable Ø)	8...10 mm
Locking of ports	Screw thread (M12×1 mm) recommended torque 0.6 Nm, self-securing
Compression gland	M12 (SW18)
Protection	IP67 inserted and tightened (EN 60529)
Material	PA
Over voltage category	III

**General data**

Pollution Degree	3
Dimensions H×W×D	58×20×20 mm
Temperature range	-40...+85 °C

**Commercial data**

country of origin	DE
customs tariff number	85366990
EAN	4048879653831
eClass	27279221
Packaging unit	1