

EMC SUPPRESSOR FOR MOTOR

RC 3 R-575/4, M16x1,5/ AWG 20/VDR"

3× 575 V AC

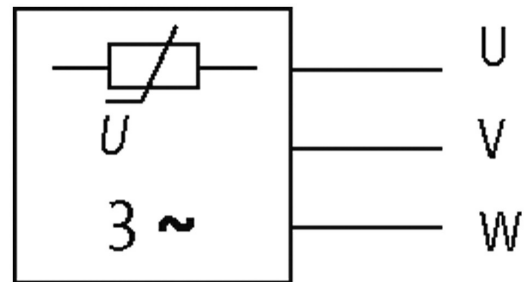
VDR

M16×1.5 mm

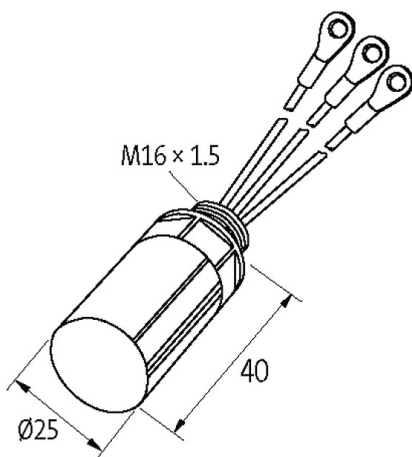
Suppressors for other voltages, frequencies, and motor ratings available on request. Do not use RC motor suppressors with frequency inverters.

Link to Product

Illustration



VDR



Product may differ from Image

Technical Data

Input voltage	575...575 V AC
Material	Flame retardant plastic acc. to (UL 94)
Ring terminals	isolated M4
Potting compound	2-component epoxy

General data

Mounting method	on motor terminal box with plug connector
Temperature range	-20...+60 °C
Connection	approx. 100 mm, single cores 0.5 mm ²
Dimensions H×W×D	25×25×40 mm

Commercial data

country of origin	CZ
customs tariff number	85363010
EAN	4048879015035
eClass	27371013
Packaging unit	10.000