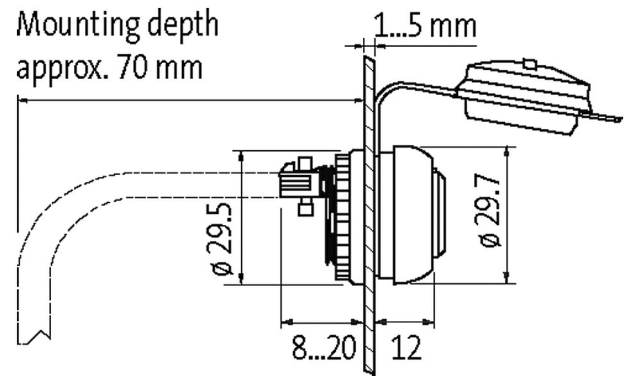


MSDD pass-through USB 3.0 form A, 3.0 m cable extension

[Link to Product](#)

Illustration



Product may differ from Image



Technical Data

| | |
|-------------------|-------------|
| Operating voltage | 5 V AC/DC |
| Operating current | max. 900 mA |

General data

| | |
|------------------|-----------------|
| Protection | IP65 |
| Dimensions HxWxD | 29.5x29.5x29 mm |

Commercial data

| | |
|-----------------------|---------------|
| country of origin | CZ |
| customs tariff number | 85444290 |
| EAN | 4048879857000 |
| Packaging unit | 1.000 |