

MQ15-X-Power female 90°right shielded with cable

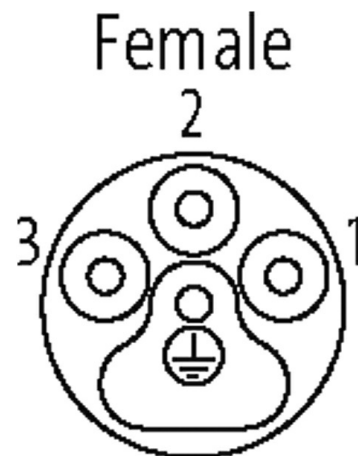
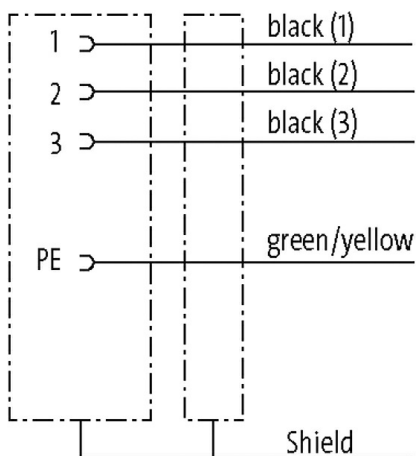
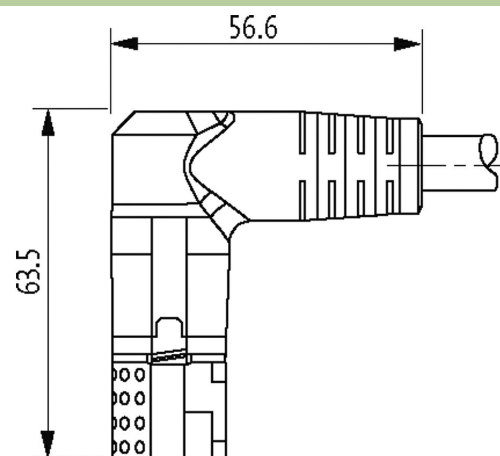
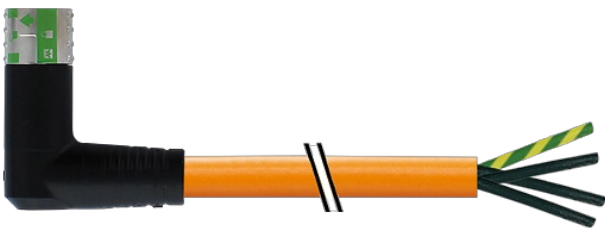
PUR 4x1,5 or UL/CSA+drag chain 25,0m

Female 90°
MQ15, 4-pole
shielded
without cable sleeves

Plastic housings with good resistance against chemicals and oils.

The resistance to aggressive media should be individually tested for your application. Further details on request.

Further cable lengths on request.

Link to Product**Illustration**

Product may differ from Image

Form

Form P8031

Technical Data

| | |
|-------------------------------|---------------|
| Operating voltage | max. 600 V AC |
| Rated surge voltage | 4.0 kV |
| Operating current per contact | max. 13 A |
| No. of poles | 4 |
| Configuration | fully used |

| | |
|------------------|---|
| LED display | no |
| Locking of ports | Quick connection, 1/4 turn |
| Protection | IP67 inserted and tightened (EN 60529) |
| Material | Flame retardant plastic acc. to (UL 94) |
| Mating cycles | ≥ 500 |
| Material group | IEC 60664-1, category I |

General data

| | |
|----------------------------|--|
| Mounting method | inserted, tightened |
| Material (contact carrier) | PA |
| Material (contact) | Copper alloy |
| Material (contact surface) | Ag |
| Stripping length (jacket) | 30 mm |
| Pollution Degree | 3 |
| Temperature range | -25...+80 °C, depending on cable quality |

Cables

| | |
|-------------------------------|--|
| Cable number | P12 |
| No./diameter of wires | 4× 1.5 mm ² |
| Wire isolation | TPM (bk num, gnye) |
| C-track properties | 5 Mio. |
| Jacket Color | orange |
| Material (jacket) | PUR (UL) |
| Outer Ø | 8.0 mm ±5% |
| Bend radius (moving) | 10× outer Ø |
| Temperature range (fixed) | -40...+80 °C |
| Temperature range (mobile) | -20...+60 °C |
| Cable identification | P12 |
| Cable weight [g/m] | 128,7 |
| Material (wire) | Cu wire, bare |
| Diameter (core) | 4× 1.5 mm ² |
| Color/numbering of wires | bk numbered, gnye longitudinally striped |
| Shield | yes |
| Material (jacket) | PUR |
| Outer-Ø (jacket) | 8.0 mm ±5% |
| Color (jacket) | orange |
| thermal resistance | flame retardant |
| Nominal voltage | 1000 V AC |
| Test voltage | 4000 V |
| Temperature range (fixed) | -40...+80 °C |
| Temperature range (mobile) | -20...+60 °C |
| Bend radius (fixed) | 10× outer Ø |
| Bend radius (moving) | 10× outer Ø |
| Traversing distance (C-track) | max. 5 m (horizontal) |
| Travel speed (C-track) | max. 3.3 m/s |
| Acceleration (C-track) | max. 5 m/s ² |
| Torsion stress | ±15°/m |

Commercial data

| | |
|-----------------------|---------------|
| country of origin | DE |
| customs tariff number | 85444290 |
| EAN | 4048879709750 |
| eClass | 27279221 |
| Packaging unit | 1 |