

**MEN POWER SUPPLY 1/2-PHASE, SMOOTHED**

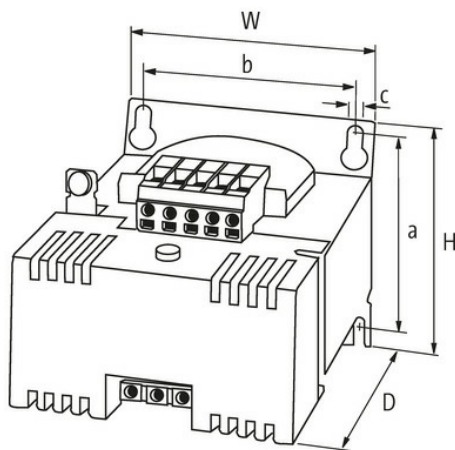
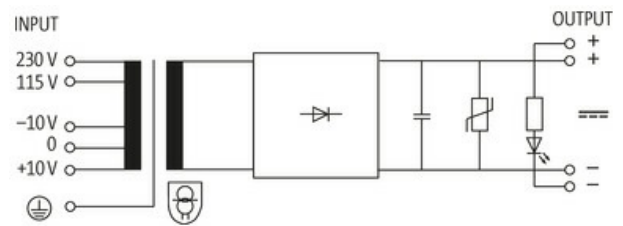
IN: 115/230+/-10VAC OUT: :24V/10ADC

Current: 10 A

Output rating: 240 W

This power supply units meet the (EN 61000-3-2) standard for harmonic current.

For any mounting position at vertical wall.

[Link to Product](#)**Illustration**

Product may differ from Image

**General data**

Standards	EN 61558-2-6, EN 62041 category I, EN 55011 B, EN 61000-3-2
Mounting method	Key-hole mounting
Temperature range	-20...+60 °C, no condensation
Fixing centers a×b×c	94.5×90×5.8 mm
Dimensions H×W×D	112.5×120×160 mm

**Output**

The information in this brochure has been compiled with the utmost care.  
Liability for the correctness completeness and topicality of the information is restricted to gross negligence. Version: 03/22

Output voltage	24 V DC (SELV)
Output current (Ta 60/40 °C)	max. 10 A (115 V AC); 12 A (230 V AC)
Output suppression	LED, VDR and smoothing capacitor
Output fuse	20 A (automotive fuse FKS)
Ripple	max. 5% eff/rms

**Input**

Input voltage	115/230 V AC $\pm$ 10 V AC
Input fuse (external)	5 A (T) (115 V AC); 2.5 A (T) (230 V AC)
Input current	3.7 A (115 V AC); 1.85 A (230 V AC)
Frequency	50..60 Hz

**Commercial data**

country of origin	CZ
customs tariff number	85044090
EAN	4048879079952
eClass	27049002
Packaging unit	1.000