

**MOSA M12 FEMALE 90° FIELD-WIREABLE (IDC) V2A**4-pol. 0.25...0.5mm<sup>2</sup>

F&amp;B

Female 90°

M12, 4-pole

IDC terminals

Connection cross section: 0.25...0.5 mm<sup>2</sup>

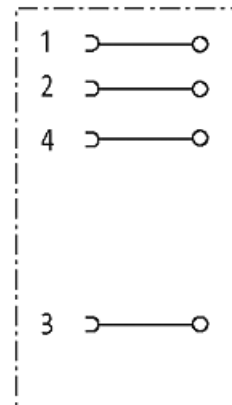
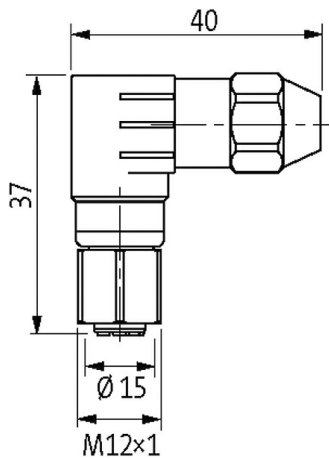
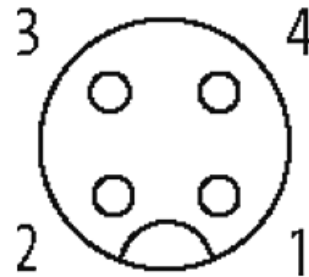
V2A nut/screw

Plastic housings with good resistance against chemicals and oils.

The resistance to aggressive media should be individually tested for your application. Further details on request.

[Link to Product](#)**Illustration**

Female



Product may differ from Image

**Form**

Form 12681

**Technical Data**

|                               |   |
|-------------------------------|---|
| Operating voltage             | max. 32 V AC/DC   |
| Operating current per contact | max. 4 A  |
| Connection cross section      | 0.25...0.5 mm <sup>2</sup> (conductor diameter min. 0.1 mm) |
| Sealing range (cable Ø)       | 4...5.1 mm  |
| Wire isolation                | PVC, PP, TPE  |
| Outer wire Ø                  | 1.2...1.6 mm  |

|                  |  |
|------------------|--|
| Locking of ports | Screw thread (M12×1 mm) recommended torque 0.6 Nm, self-securing |
| Protection       | IP67 inserted and tightened (EN 60529)                           |
| Locking material | Stainless steel 1.4305 (V2A)                                     |

**General data**

|                   |              |
|-------------------|--------------|
| Temperature range | -25...+85 °C |
|-------------------|--------------|

**Commercial data**

|                       |               |
|-----------------------|---------------|
| country of origin     | DE            |
| customs tariff number | 85366990      |
| EAN                   | 4048879112086 |
| eClass                | 27279220      |
| Packaging unit        | 1             |