

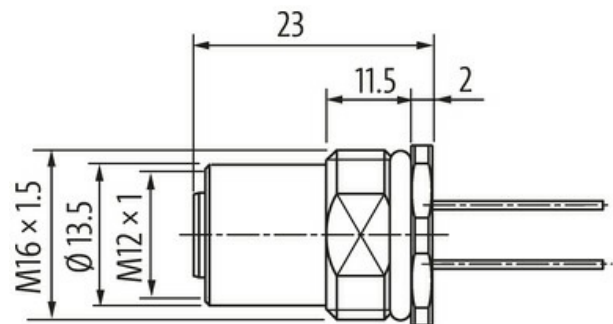
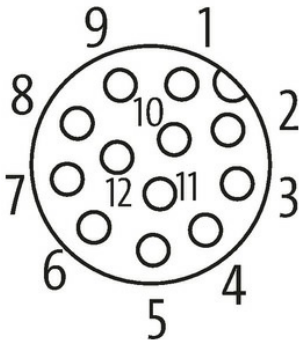
M12 female recept. A-cod. rear

TPE-wires 12x0.14 1m

Flange female
M12, 12-pole
Rear mounting
with multi-strand wire

[Link to Product](#)**Illustration**

| | | |
|----|---|-----------|
| 1 | ↷ | brown |
| 2 | ↷ | blue |
| 3 | ↷ | white |
| 4 | ↷ | green |
| 5 | ↷ | pink |
| 6 | ↷ | yellow |
| 7 | ↷ | black |
| 8 | ↷ | gray |
| 9 | ↷ | red |
| 10 | ↷ | violet |
| 11 | ↷ | gray/pink |
| 12 | ↷ | red/blue |

Female

Product may differ from Image

**Form**

Form 19185

Technical Data

| | |
|-------------------------------|-----------------|
| Operating voltage | max. 30 V AC/DC |
| Rated surge voltage | 0.8 kV |
| Operating current per contact | max. 1.5 A |

| | |
|-------------------|--|
| No. of poles | 12 |
| Material group | IEC 60664-1, category I |
| Coding | A-coded |
| LED display | no |
| Locking of ports | Screw thread (M12×1 mm) recommended torque 0.6 Nm, self-securing |
| Compression gland | M12 (SW14) |
| Protection | IP67 inserted and tightened (EN 60529) |
| Protection NEMA | 3, 4, 6P (UL 50E) |
| Locking material | Brass, nickel plated |

General data

| | |
|----------------------------|--------------|
| Material (contact) | Copper alloy |
| Material (contact surface) | Au |
| Material (gasket) | FKM |
| Pollution Degree | 3 |
| Temperature range | -25...+85 °C |

Cables

| | |
|----------------------------|--|
| No./diameter of wires | 12× 0.14 mm ² |
| Wire isolation | PP (br, bl, wh, gn, pk, ye, bk, gr, rd, vi, grp, rdbl) |
| Outer Ø | 1.25 mm ±5% |
| Cable number | 979 |
| Temperature range (fixed) | -40...+85 °C |
| Temperature range (mobile) | -25...+85 °C |
| Bend radius (fixed) | 5× outer Ø |
| Bend radius (moving) | 15× outer Ø |

Commercial data

| | |
|-----------------------|---------------|
| country of origin | DE |
| customs tariff number | 85444290 |
| EAN | 4048879332545 |
| eClass | 27279220 |
| Packaging unit | 1.000 |