

EXACT12, 4XM12, 5-POLE, CON. M23 19 POLE

Without con. cable

4-way, 5-pole

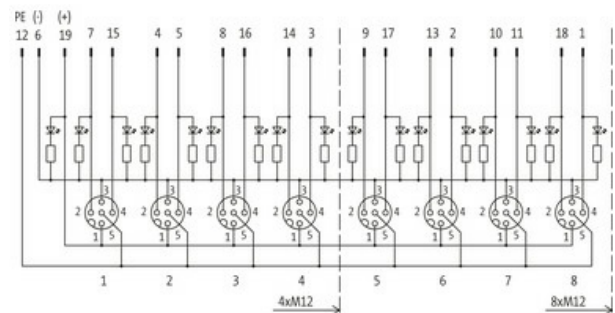
M23 plug connection

19-pole used

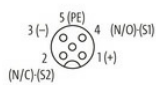
with LED for digital PNP-signals 24 V DC

Plastic housings with good resistance against chemicals and oils.

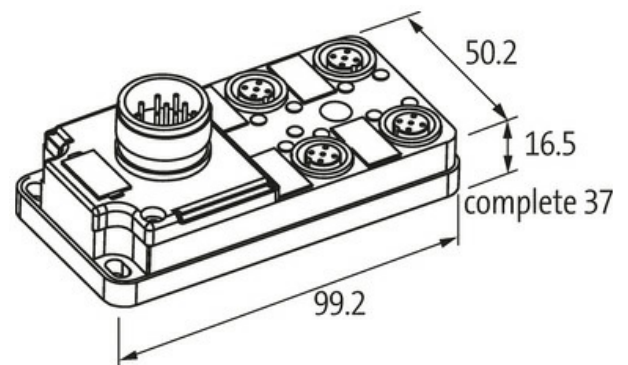
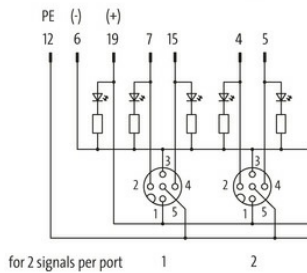
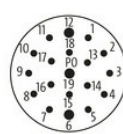
The resistance to aggressive media should be individually tested for your application. Further details on request.

Link to Product**Illustration**

M12-Females 5-pole



M23-Plug 19-pole



Product may differ from Image

**Technical Data**

Operating voltage	24 V DC
Operating current per contact	max. 4 A
Protection	IP65/IP67
Housing	Plastic, flame retardant
Total current	max. 8 A

General data

Temperature range	-20...+80 °C
-------------------	--------------

Contact Layout

PIN 1	(+)
PIN 2	(NC)/(S2)
PIN 3	(-)
PIN 4	(NO)/(S1)
PIN 5	(Earth)
LED (green): Power / LED (yellow): (S1) / LED (white): Signal (S2)	

Commercial data

country of origin	DE
customs tariff number	85369010
EAN	4048879055666
eClass	27279219
Packaging unit	1.000