

MB DIODE

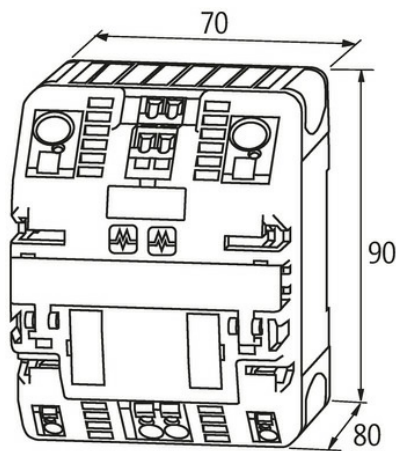
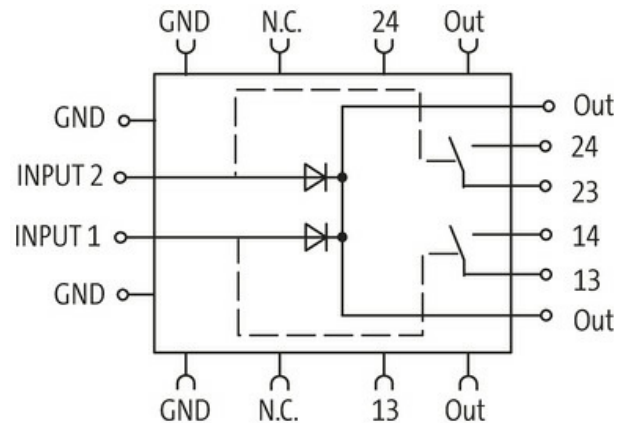
IN: 24VDC/2x20ADC OUT: 24V/20-40ADC

INPUT: 24 V DC (SELV/PELV)

OUTPUT: max. 2x 20/1x 40 A

Link to Product

Illustration



Product may differ from Image



General data

Standards	EN 61000-6-2, EN 61000-6-3
Mounting method	DIN-rail mountable TH35 (EN 60715)
Temperature range	-25...+55 °C (storage temperature -25...+85 °C)
Relative humidity	5...95%, no condensation
Efficiency	97%
Connection	Spring clamp terminals
Bridging concept	two sides, with spring clamp terminals or bridge set (max. 40 A)

Output

The information in this brochure has been compiled with the utmost care. Liability for the correctness completeness and topicality of the information is restricted to gross negligence. Version: 03/22

Output voltage	24 V DC (21...30 V DC)
LED display	LED (green)
Alarm output	potential free per channel (relay contact)
Overload	at 20 A +50% for 4 s
Output current	20 A (-25...+55 °C); 40 A (-25...+40 °C)

Input

Input voltage	24 V DC (21...30 V DC)
Invers-polarity protection	internal protection against reverse polarization up to 60 V DC
Input current	2x 20/1x 40 A
Total current	max. 40 A

Commercial data

country of origin	CZ
customs tariff number	85411000
EAN	4048879079884
eClass	27049002
Packaging unit	1.000