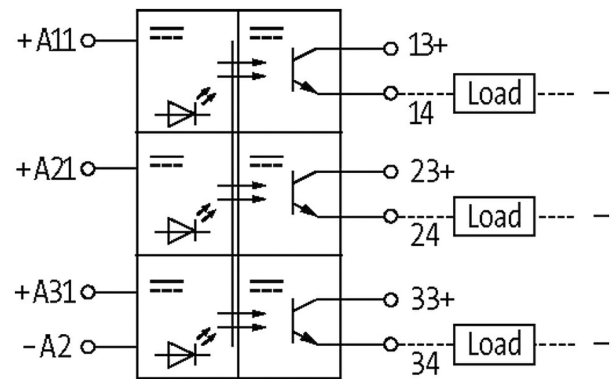


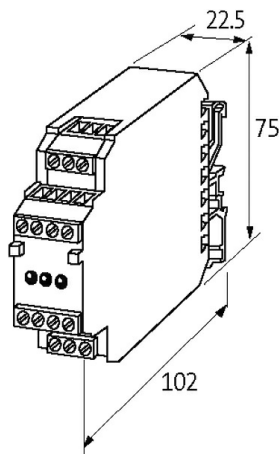
AMS 3-10/44-2 OPTO-COUPLER MODULE

IN: 53 VDC - OUT: 35 VDC / 2 A

Transistor 2 A (3-way)
 3 NO contacts
 24 V DC
 Control voltage 230 V AC on request

[Link to Product](#)**Illustration**

common negative for all 3 inputs = - A2



Product may differ from Image

General data

Mounting method	DIN-rail mountable TH35 or G32 (EN 60715)
Temperature range	-20...+60 °C
Test isolation voltage	2.5 kV
Housing	Black plastic, flame retardant
Dimensions HxWxD	75x22.5x85 mm

Output

Leakage current (output is open)	max. 0.3 mA
Switching time ON/OFF	2/15 ms
Saturation voltage (across output)	max. 0.5 V DC
Switching voltage	4.5...35 V DC

Switching frequency	max. 10/1 Hz (resist./ind.)
Switching current per output	10 mA...2 A (short-circuit protected)

Input

Voltage range OFF	0...3 V DC
Voltage range ON	10...53 V DC
LED display	LED (red)
Input current	10 mA

Commercial data

country of origin	CZ
customs tariff number	85414900
EAN	4048879028035
eClass	27371604
Packaging unit	1.000