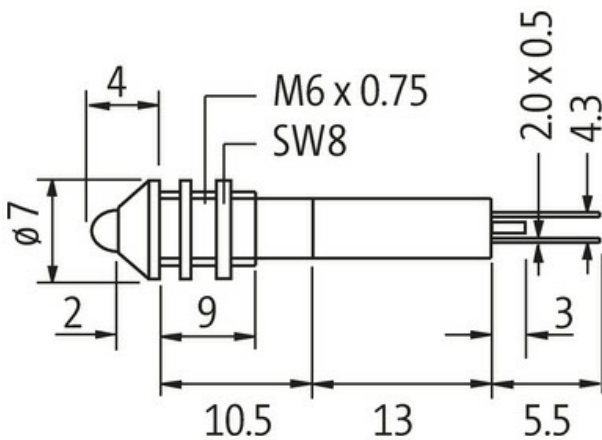
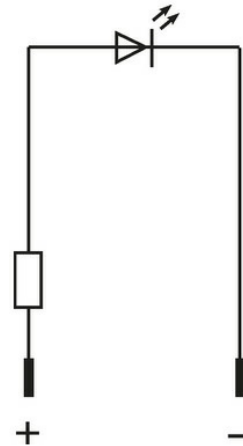


**LED-INDICATOR BLUE**

LED 3mm - 24V DC - 20 mA - IP40

(blue)  
24 V DC[Link to Product](#)**Illustration**

Product may differ from Image

**Technical Data**

Operating voltage	24 V DC $\pm 15\%$
Current consumption	approx. 15 mA
Protection (IEC 60529/EN 60529)	IP40

**General data**

Temperature range	-40...+70 °C
Front panel hole diameter $\varnothing$	6 mm
LED $\varnothing$	3.0 mm $\pm 5\%$
Housing	Brass, chrome plated
Connection	Faston 2.0x0.5 mm
Dimensions HxWxD	7x7x33 mm

**Commercial data**

country of origin	DE
-------------------	----

The information in this brochure has been compiled with the utmost care.  
Liability for the correctness completeness and topicality of the information is restricted to gross negligence. Version: 03/22

customs tariff number	85318070
EAN	4048879041119
eClass	27261590
Packaging unit	10.000